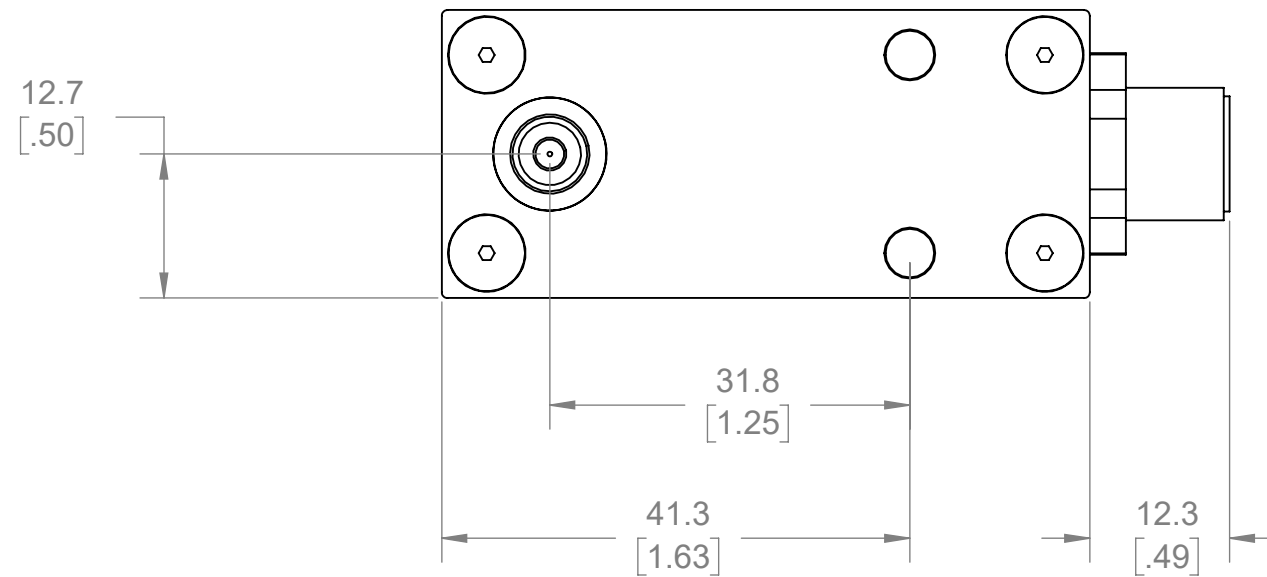
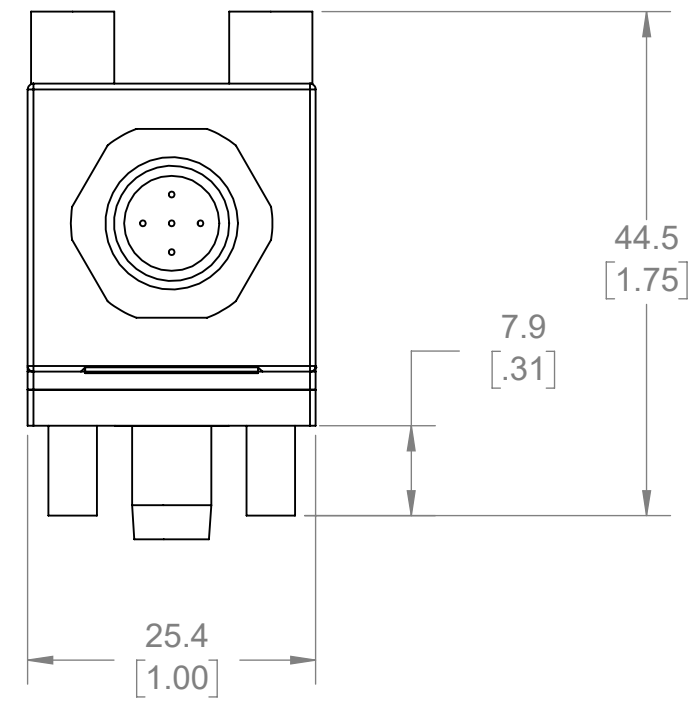
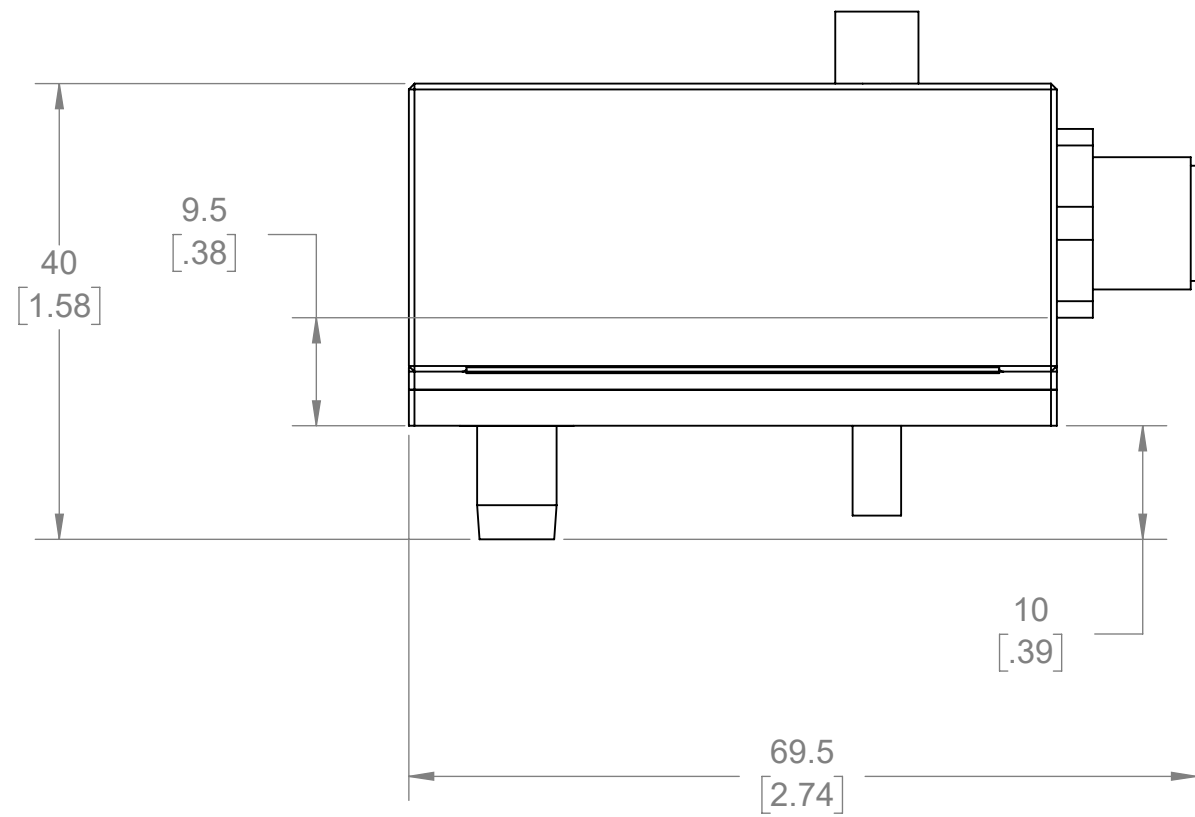



Drawing Title: LP/LX1-M Installation



NOTES:

1. CLAMP PLATE APPLICATIONS REQUIRE GUIDED EJECTION
2. EJECTOR AND TRANSFER PIN CONCENTRICITY MUST BE WITHIN 0.030" [0.76] OR 10% OF EJECTOR PIN DIA, WHICHEVER IS SMALLER.
3. ENCLOSED EJECTOR BOX SUGGESTED.
4. DO NOT SCALE PRINT
5. BREAK ALL SHARP EDGES, 0.005 [0.03] R MAX
6. DIMENSIONS IN INCHES [MM], UNLESS NOTED
7. TOLERANCES UNLESS SPECIFIED:
 XXX = ±0.003 [0.08]
 XX = ±0.01 [0.3]
 ANGLES = ±3° 30°

| | |
|---|------------------------------------|
|  <p>3111 Park Street, Traverse City, MI 49686 231-944-2111 www.rjg.com</p> | Description: LP/LX1-M Installation |
| | Drawn: K.J.Brettschneider |
| | Design: |
| | Check: M.Groleau |
| Date: 04.04.2023 | |

Drawing Title: LP/LX1-M Installation

NOTES:

1. CLAMP PLATE APPLICATIONS REQUIRE GUIDED EJECTION
2. EJECTOR AND TRANSFER PIN CONCENTRICITY MUST BE WITHIN 0.030" [0.76] OR 10% OF EJECTOR PIN DIA, WHICHEVER IS SMALLER.
3. ENCLOSED EJECTOR BOX SUGGESTED.
4. DO NOT SCALE PRINT
5. BREAK ALL SHARP EDGES, 0.005 [0.03] R MAX
6. DIMENSIONS IN INCHES [MM], UNLESS NOTED
7. TOLERANCES UNLESS SPECIFIED:
XXX = ± 0.003 [0.08]
XX = ± 0.01 [0.3]
ANGLES = $\pm 3^\circ$ 30°



Description: LP/LX1-M
Installation

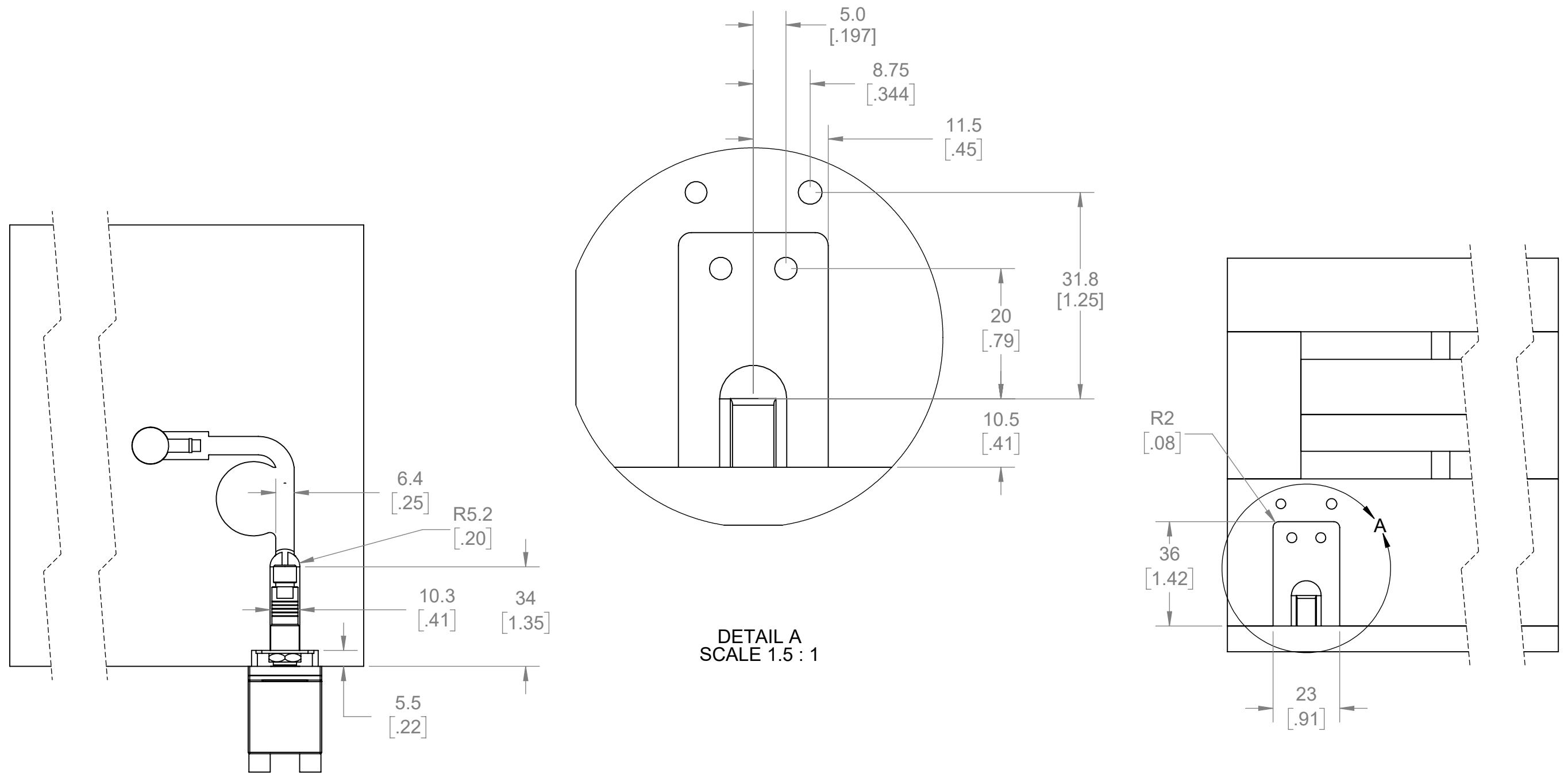
Drawn: K.J.Brettschneider

Design:

Check: M.Groleau

Date: 04.04.2023

Drawing Title: LP/LX1-M Installation



NOTES:

1. CLAMP PLATE APPLICATIONS REQUIRE GUIDED EJECTION
2. EJECTOR AND TRANSFER PIN CONCENTRICITY MUST BE WITHIN 0.030" [0.76] OR 10% OF EJECTOR PIN DIA, WHICHEVER IS SMALLER.
3. ENCLOSED EJECTOR BOX SUGGESTED.
4. DO NOT SCALE PRINT
5. BREAK ALL SHARP EDGES, 0.005 [0.03] R MAX
6. DIMENSIONS IN INCHES [MM], UNLESS NOTED
7. TOLERANCES UNLESS SPECIFIED:
 XXX = ±0.003 [0.08]
 XX = ±0.01 [0.3]
 ANGLES = ±3° 30°



Description: LP/LX1-M
Installation
 Drawn: K.J.Brettschneider
 Design:
 Check: M.Groleau
 Date: 04.04.2023