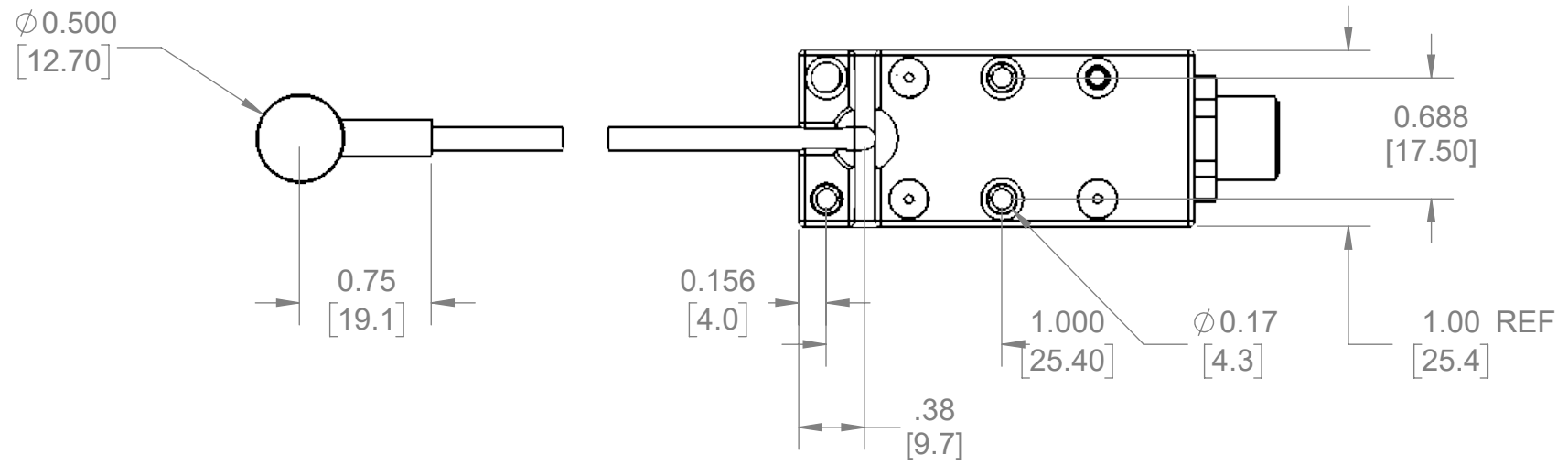
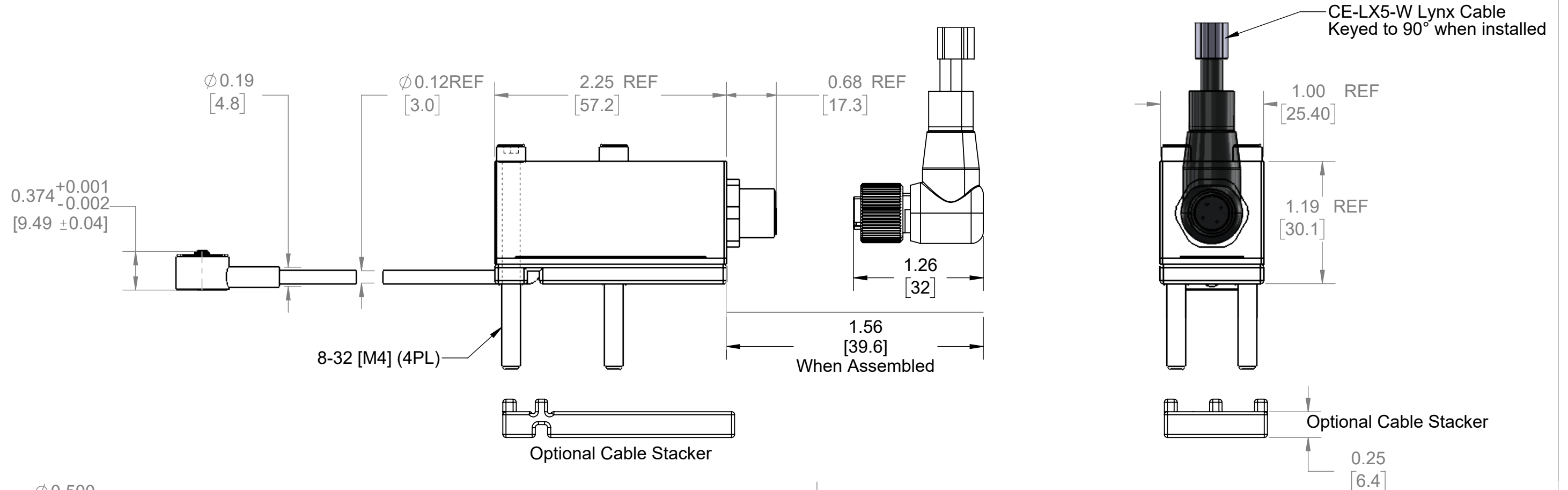
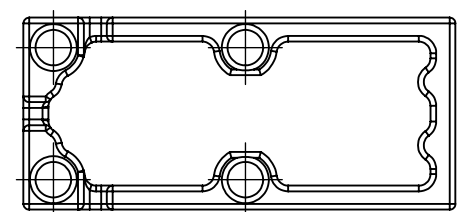


LSB127-XXXX Single-Channel Sensor Installation—Sensor and Optional Cable Stacker Dimensions



CABLE STACKERS	SCREW LENGTH	CABLE STORED
1	1.75 [45.0]	6.00" [152.4]
2	2.00 [50.0]	12.00" [304.8]
3	2.25 [57.0]	18.00" [457.2]
4	2.50 [64.0]	24.00" [609.6]



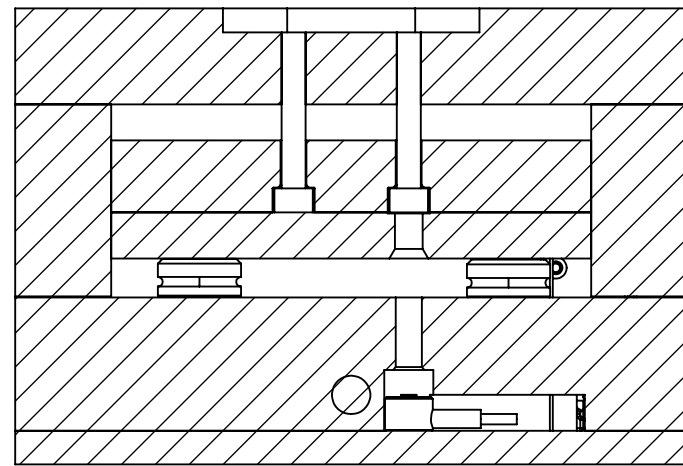
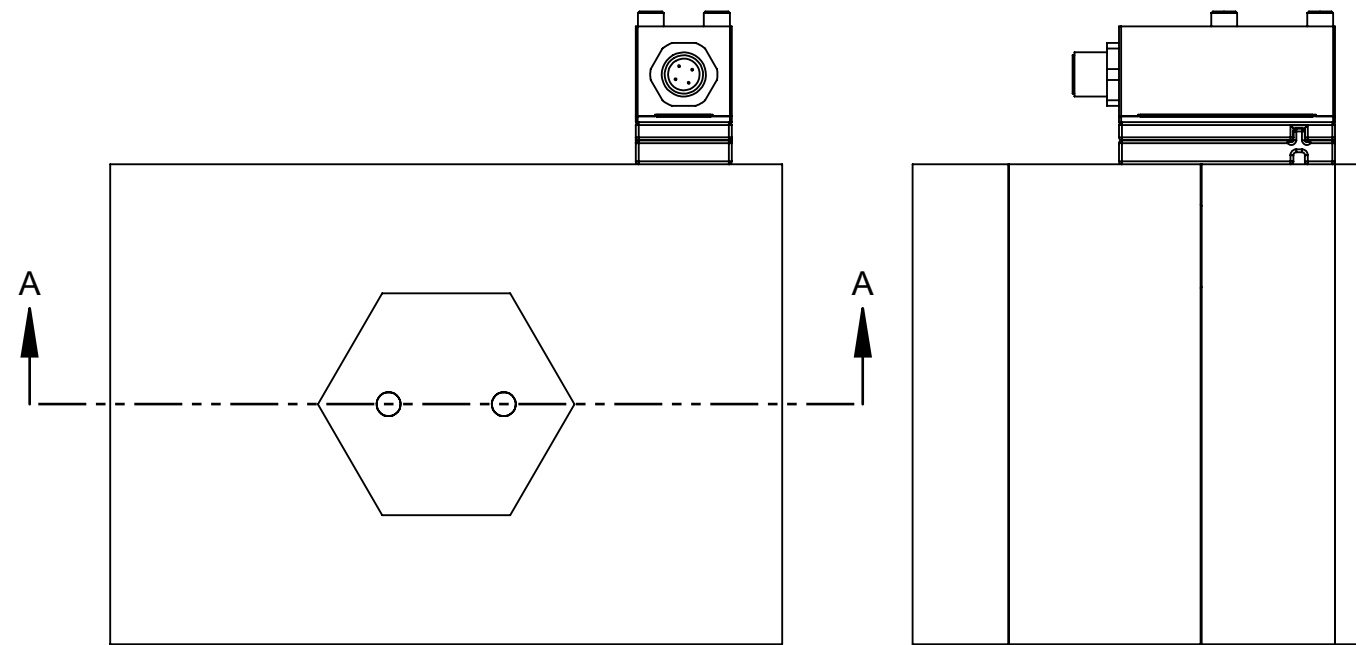
Optional Cable Stacker accomodates up to 4.0" [101.6] of extra cable.

- NOTES:
- ENCLOSED EJECTOR BOX SUGGESTED.
  - DO NOT SCALE PRINT
  - BREAK ALL SHARP EDGES, 0.005 [0.03] R MAX
  - DIMENSIONS IN INCHES [MM], UNLESS NOTED
  - TOLERANCES UNLESS SPECIFIED:  
 XXX = ±0.003 [0.08]  
 XX = ±0.01 [0.3]  
 ANGLES = ±3° 30°

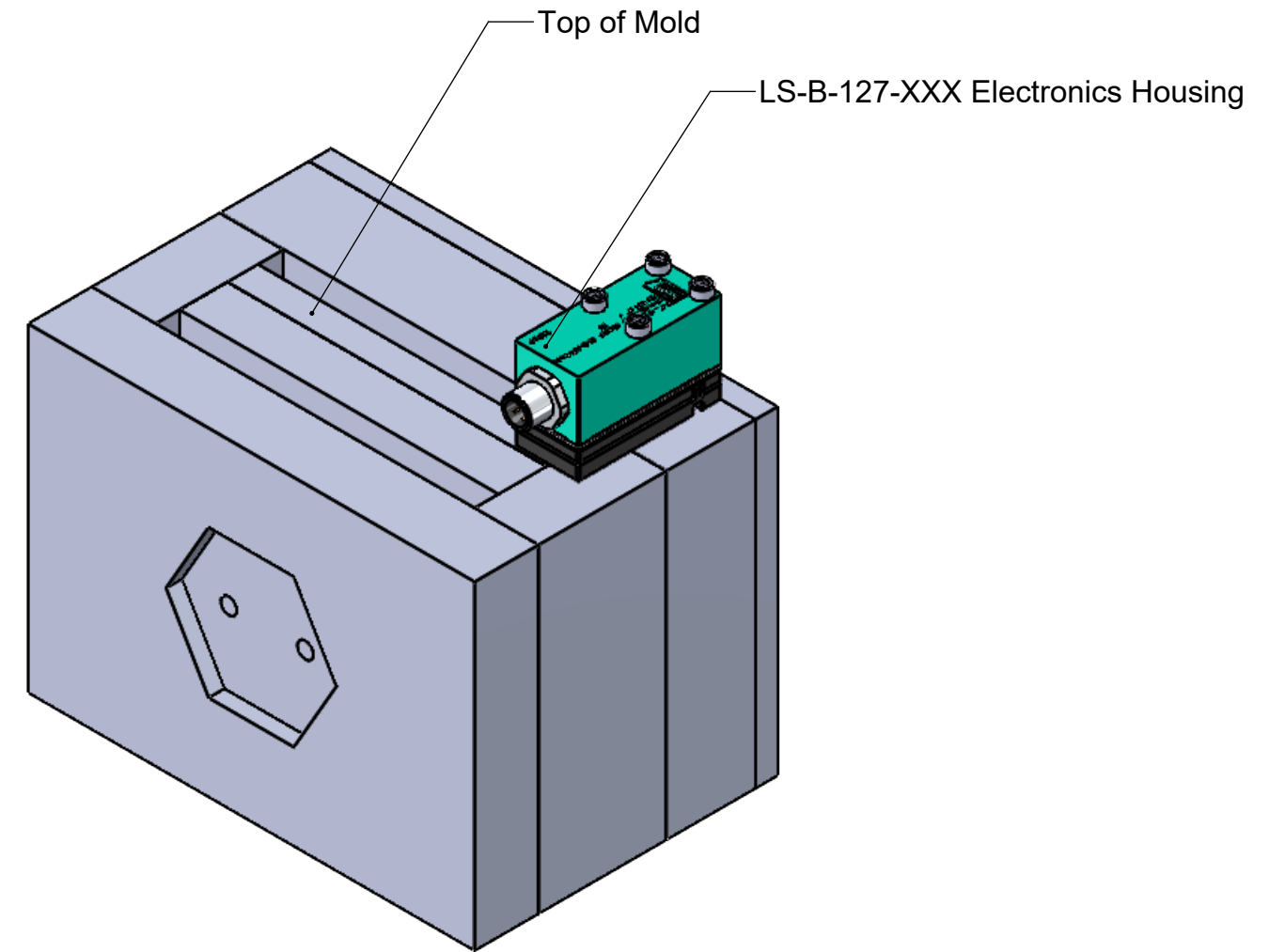
3111 Park Street, Traverso City, NJ 08086  
 201-264-2111 | www.rjg.com

Description: LSB127-XXXX Sensor Installation  
 Drawn: K.J.Brettschneider  
 Design:  
 Check: M.Groleau  
 Date: 04.16.2026

LSB127-XXXX Single-Channel Sensor Installation—Clamp Plate Installation



SECTION A-A  
SCALE 1 : 2



NOTES:

1. ENCLOSED EJECTOR BOX SUGGESTED.
2. DO NOT SCALE PRINT
3. BREAK ALL SHARP EDGES, 0.005 [0.03] R MAX
4. DIMENSIONS IN INCHES [MM], UNLESS NOTED
5. TOLERANCES UNLESS SPECIFIED:  
 XXX =  $\pm 0.003$  [0.08]  
 XX =  $\pm 0.01$  [0.3]  
 ANGLES =  $\pm 3^\circ$  30°



Description: LSB127-XXXX  
Sensor Installation  
 Drawn: K.J.Brettschneider  
 Design:  
 Check: M.Groleau  
 Date: 04.16.2026

LSB127-XXXX Single-Channel Sensor Installation—Clamp Plate Installation

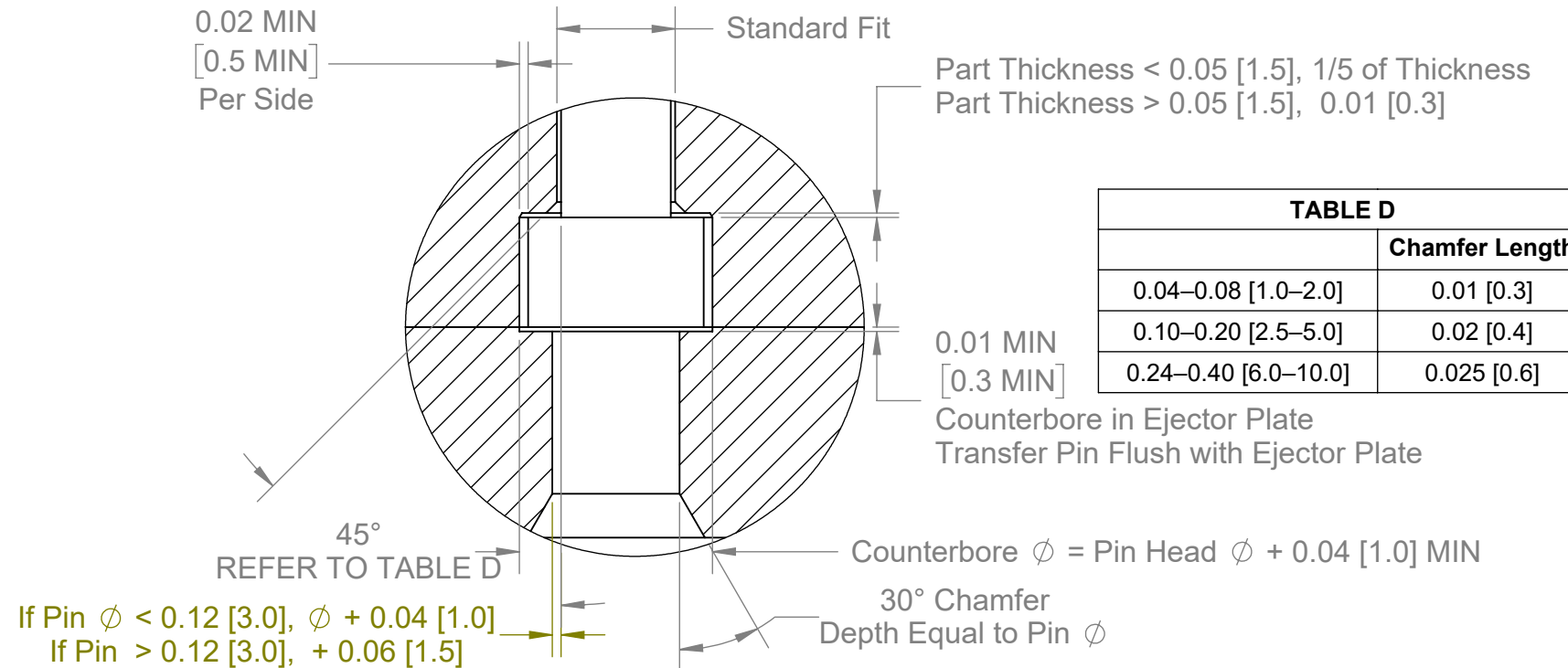
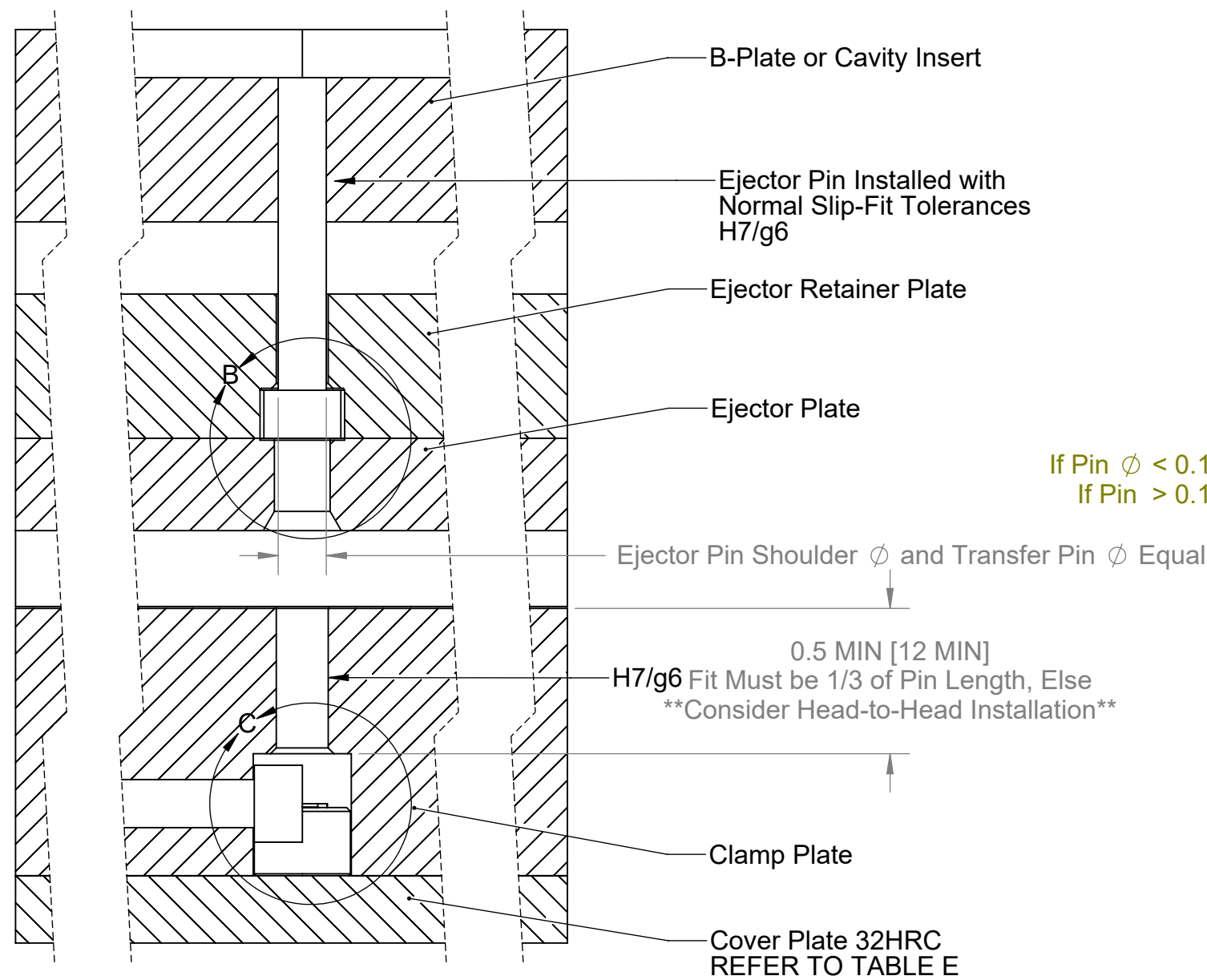
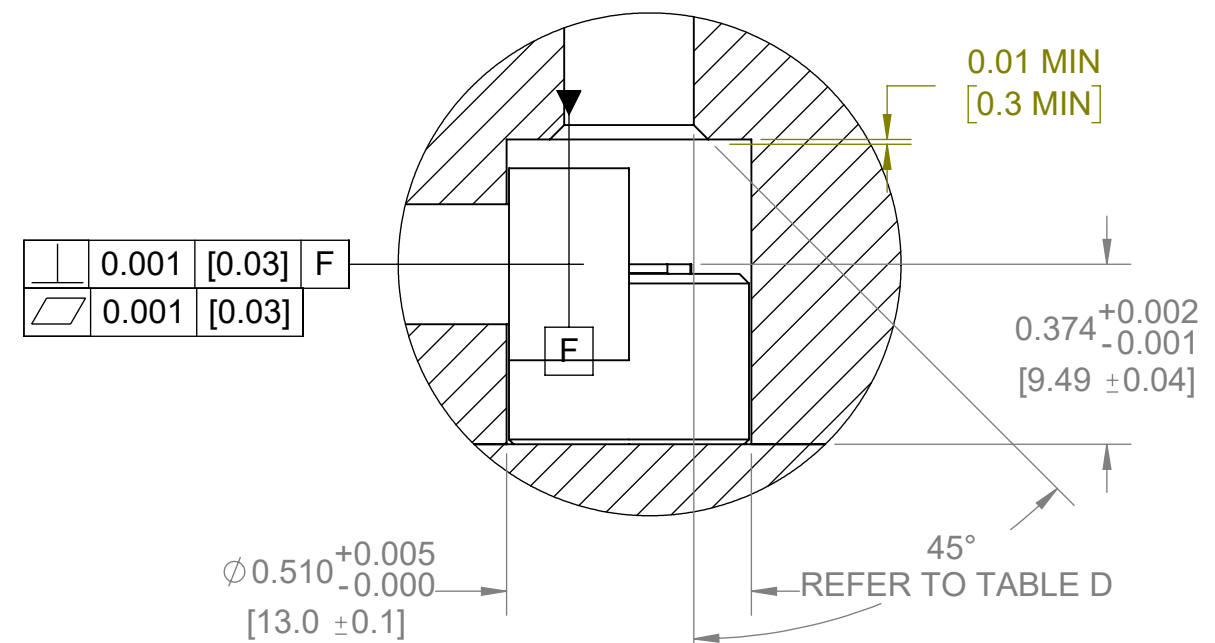


TABLE D	
	Chamfer Length
0.04–0.08 [1.0–2.0]	0.01 [0.3]
0.10–0.20 [2.5–5.0]	0.02 [0.4]
0.24–0.40 [6.0–10.0]	0.025 [0.6]

DETAIL B  
SCALE 2.5 : 1



DETAIL C  
SCALE 2.5 : 1

TABLE E	
Sensor Model	MIN Plate Thickness
LS-B-127-50	0.2 [5]
LS-B-127-125	0.2 [5]
LS-B-127-500	0.25 [6.0]
LS-B-127-2000	0.25 [6.0]

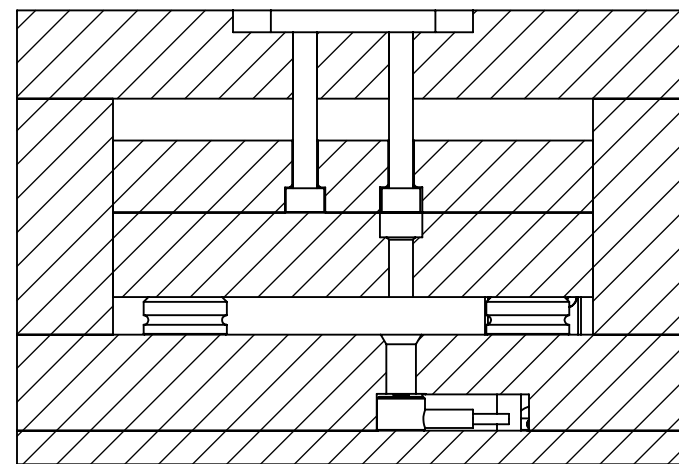
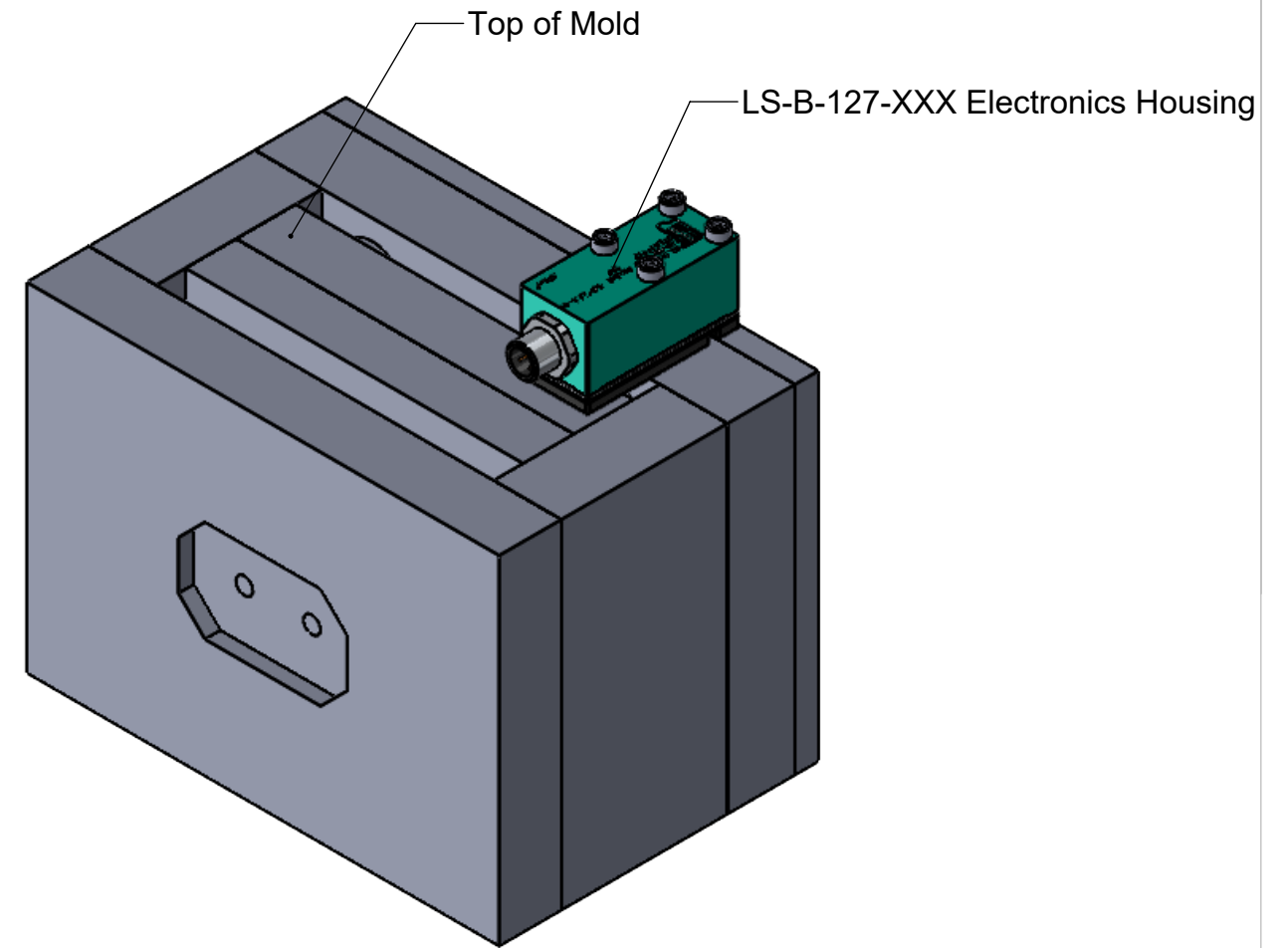
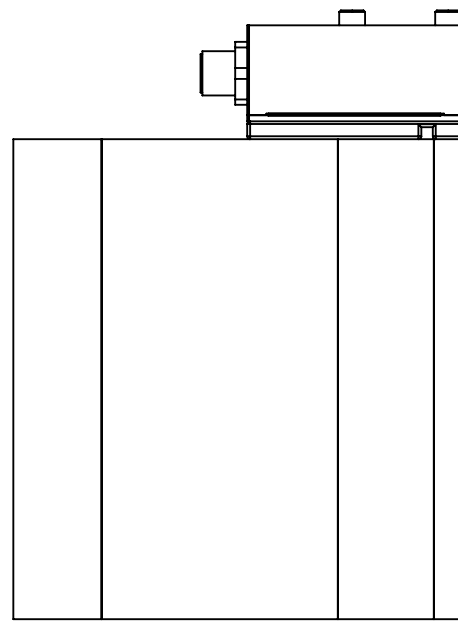
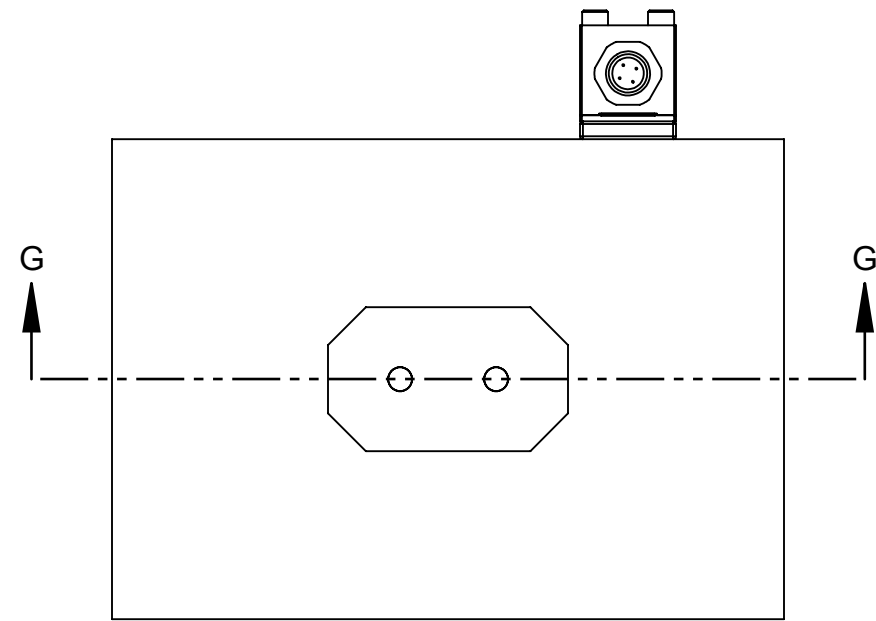
Refer to Product Manual for Cover Plate Alternatives

- NOTES:
- ENCLOSED EJECTOR BOX SUGGESTED.
  - DO NOT SCALE PRINT
  - BREAK ALL SHARP EDGES, 0.005 [0.03] R MAX
  - DIMENSIONS IN INCHES [MM], UNLESS NOTED
  - TOLERANCES UNLESS SPECIFIED:  
 XXX =  $\pm 0.003 [0.08]$   
 XX =  $\pm 0.01 [0.3]$   
 ANGLES =  $\pm 3^\circ 30'$



Description: LSB127-XXXX  
Sensor Installation  
 Drawn: K.J.Brettschneider  
 Design:  
 Check: M.Groleau  
 Date: 04.16.2026


LSB127-XXXX Single-Channel Sensor Installation—Head-to-Head Installation



SECTION G-G

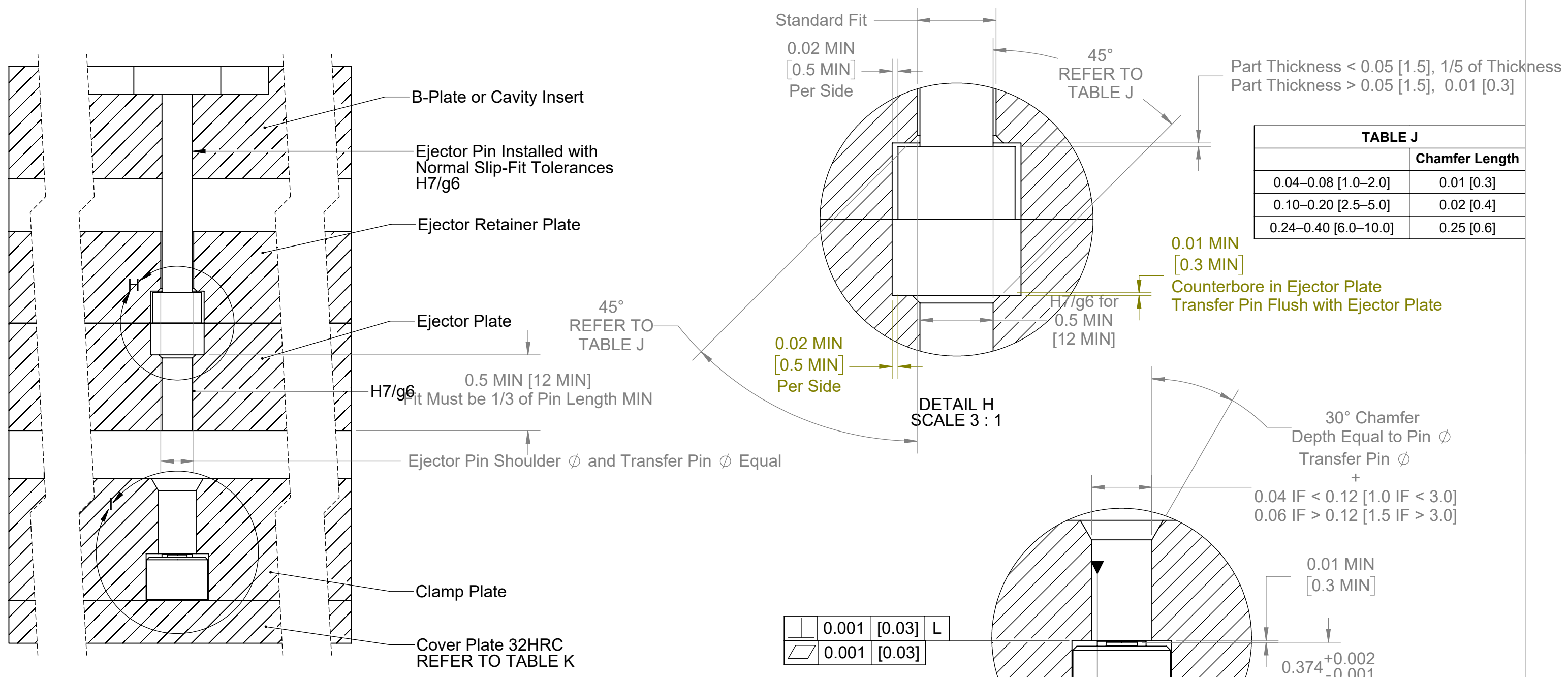
NOTES:

1. ENCLOSED EJECTOR BOX SUGGESTED.
2. DO NOT SCALE PRINT
3. BREAK ALL SHARP EDGES, 0.005 [0.03] R MAX
4. DIMENSIONS IN INCHES [MM], UNLESS NOTED
5. TOLERANCES UNLESS SPECIFIED:  
 XXX =  $\pm 0.003$  [0.08]  
 XX =  $\pm 0.01$  [0.3]  
 ANGLES =  $\pm 3^\circ$  30°

 <p>311 Park Street, Traverso City, NJ 08606                  201-264-2111   www.rjg.com</p>	Description: LSB127-XXXX Sensor Installation
	Drawn: K.J.Brettschneider
	Design:
	Check: M.Groleau Date: 04.16.2026

# Drawing Title: LSB127XXX-05

## LSB127-XXXX Single-Channel Sensor Installation—Head-to-Head Installation



Part Thickness <math>< 0.05</math> [1.5], 1/5 of Thickness  
 Part Thickness > 0.05 [1.5], 0.01 [0.3]

TABLE J	
	Chamfer Length
0.04–0.08 [1.0–2.0]	0.01 [0.3]
0.10–0.20 [2.5–5.0]	0.02 [0.4]
0.24–0.40 [6.0–10.0]	0.25 [0.6]

TABLE K	
Sensor Model	MIN Plate Thickness
LS-B-127-50	0.2 [5]
LS-B-127-125	0.2 [5]
LS-B-127-500	0.25 [6.0]
LS-B-127-2000	0.25 [6.0]

Refer to Product Manual for Cover Plate Alternatives

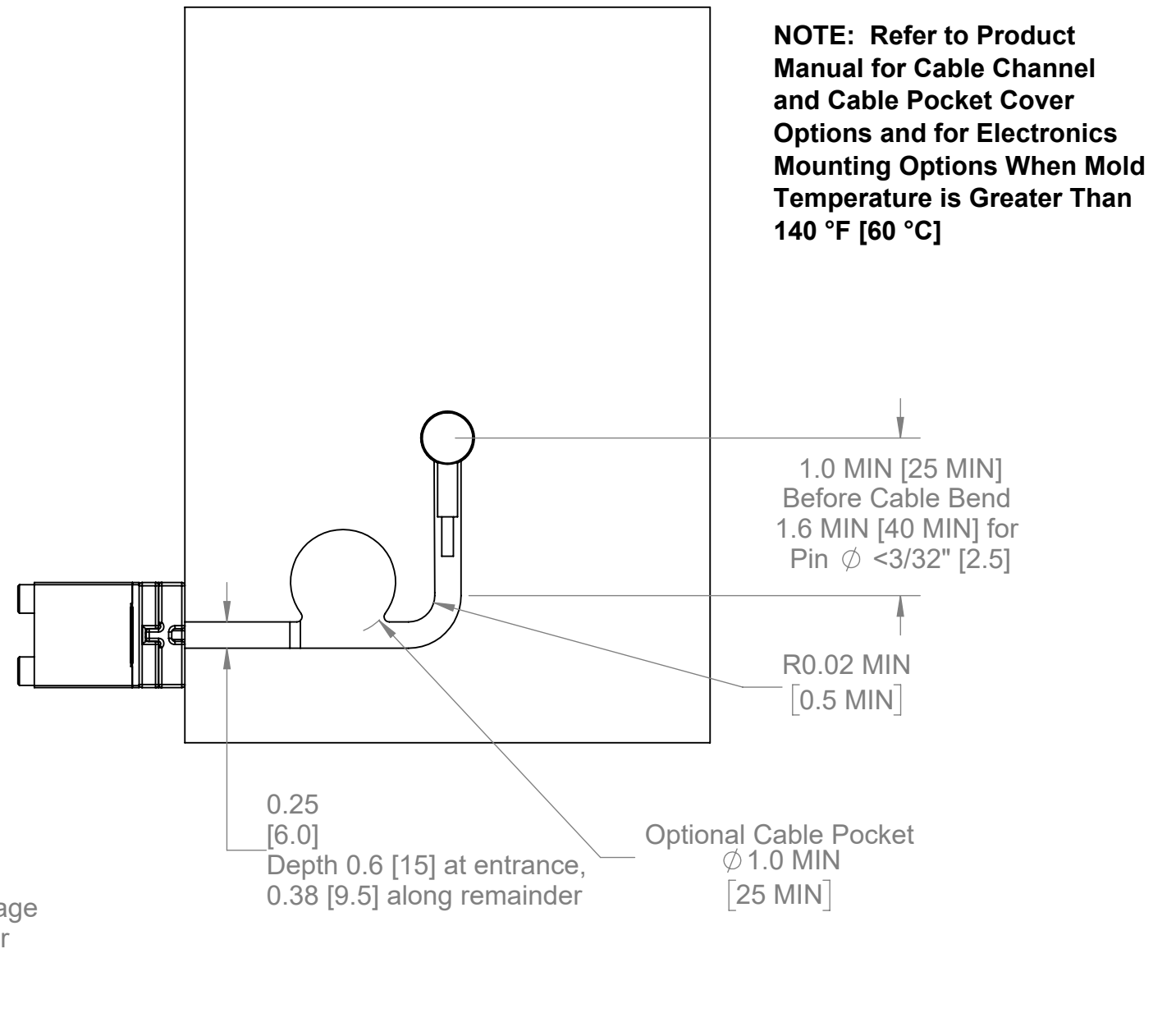
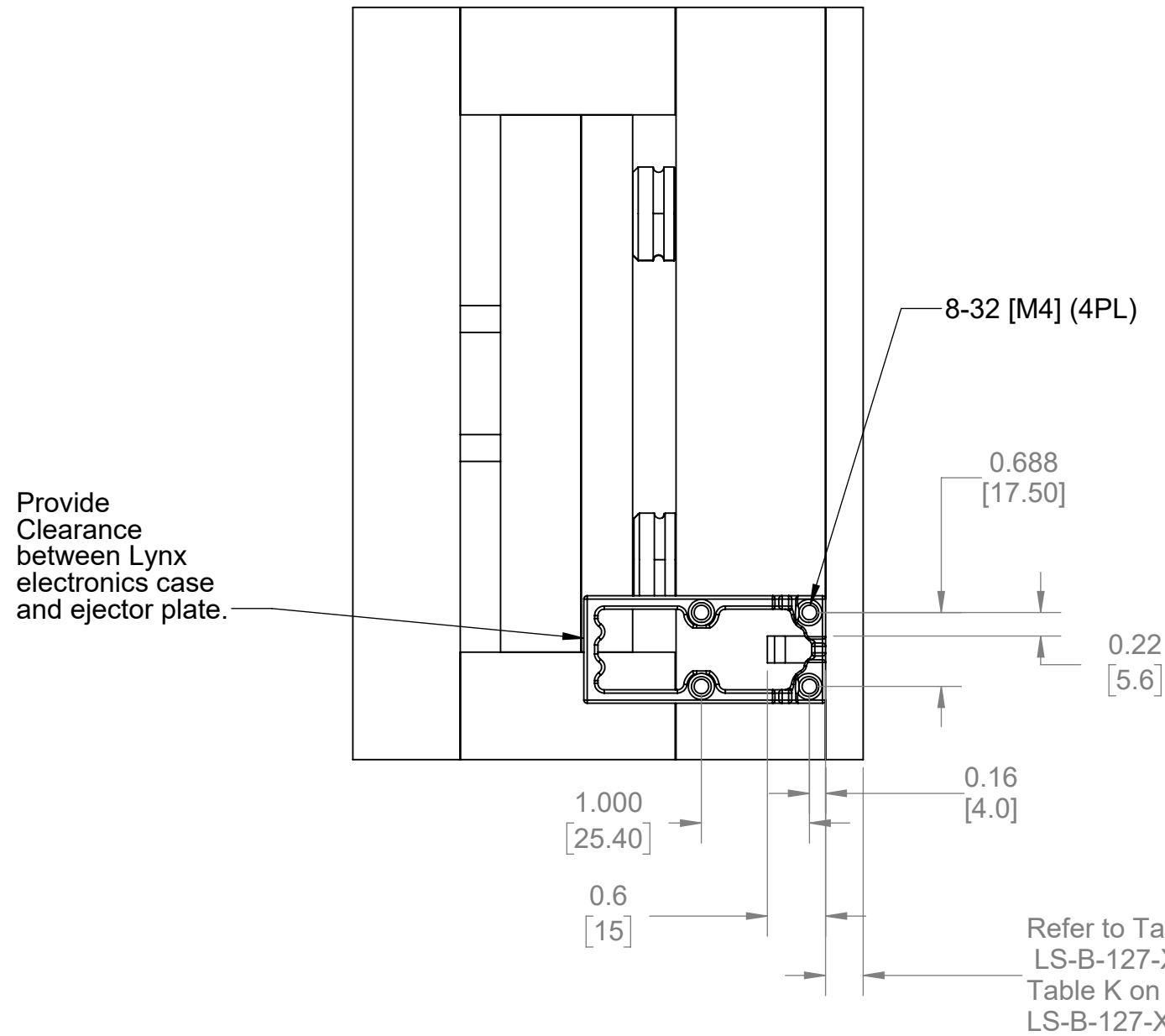
- NOTES:
- ENCLOSED EJECTOR BOX SUGGESTED.
  - DO NOT SCALE PRINT
  - BREAK ALL SHARP EDGES, 0.005 [0.03] R MAX
  - DIMENSIONS IN INCHES [MM], UNLESS NOTED
  - TOLERANCES UNLESS SPECIFIED:  
 XXX =  $\pm 0.003$  [0.08]  
 XX =  $\pm 0.01$  [0.3]  
 ANGLES =  $\pm 3^\circ$  30°

311 Park Street, Traverse City, MI 49606  
 231-944-2111 | www.rjg.com

Description: LSB127-XXXX Sensor Installation  
 Drawn: K.J.Brettschneider  
 Design:  
 Check: M.Groleau  
 Date: 04.16.2026

### LSB127-XXXX Single-Channel Sensor Installation—Clamp Plate/Head-to-Head Installation


**NOTE:** Lynx sensor electronics case mounted in the orientation as shown to allow access to the Lynx cable connection.  
 Refer to Product Manual for alternate electronics case mounting options.



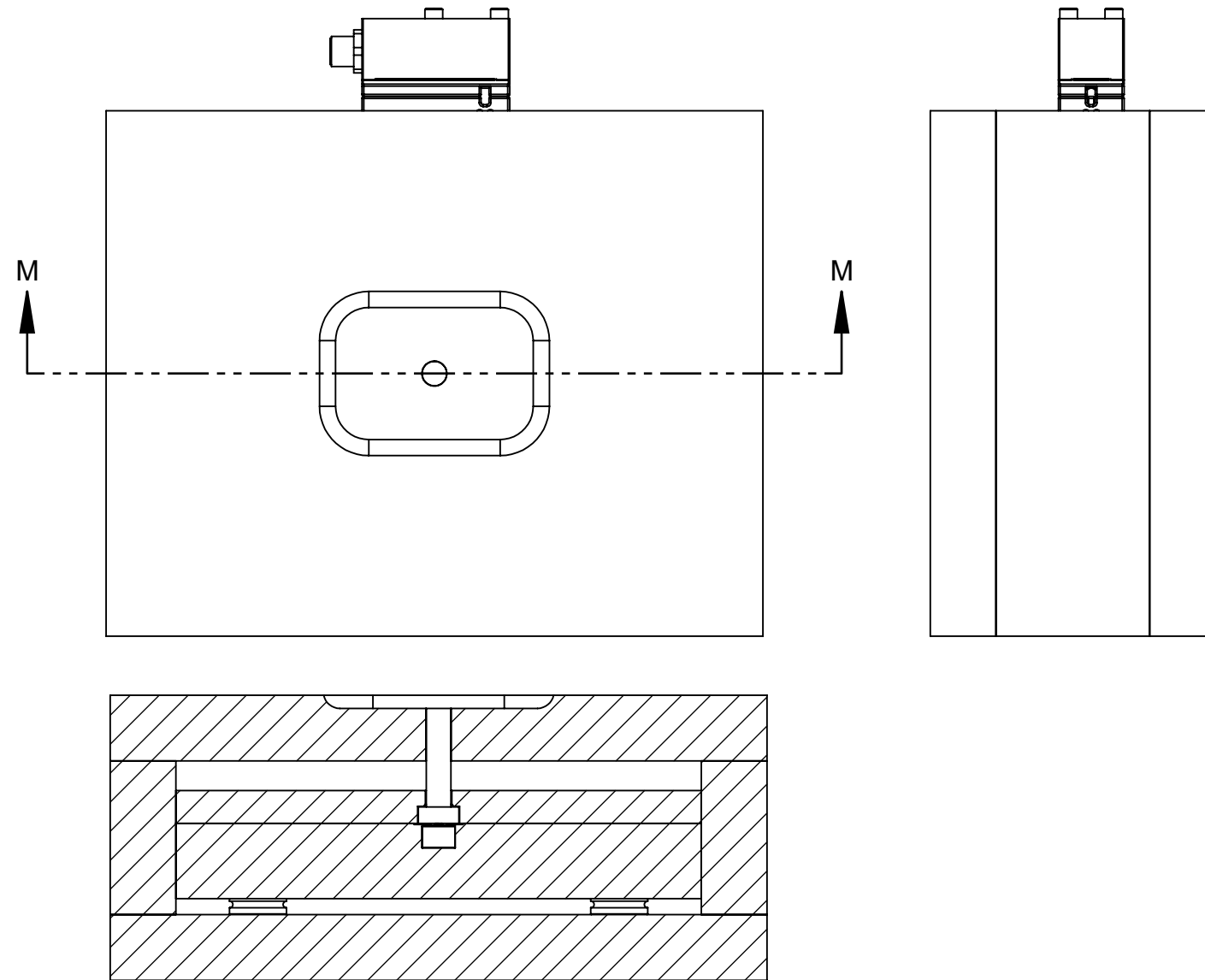
**NOTE:** Refer to Product Manual for Cable Channel and Cable Pocket Cover Options and for Electronics Mounting Options When Mold Temperature is Greater Than 140 °F [60 °C]

Refer to Table E on page LS-B-127-XXXX-03 or Table K on page LS-B-127-XXXX-05

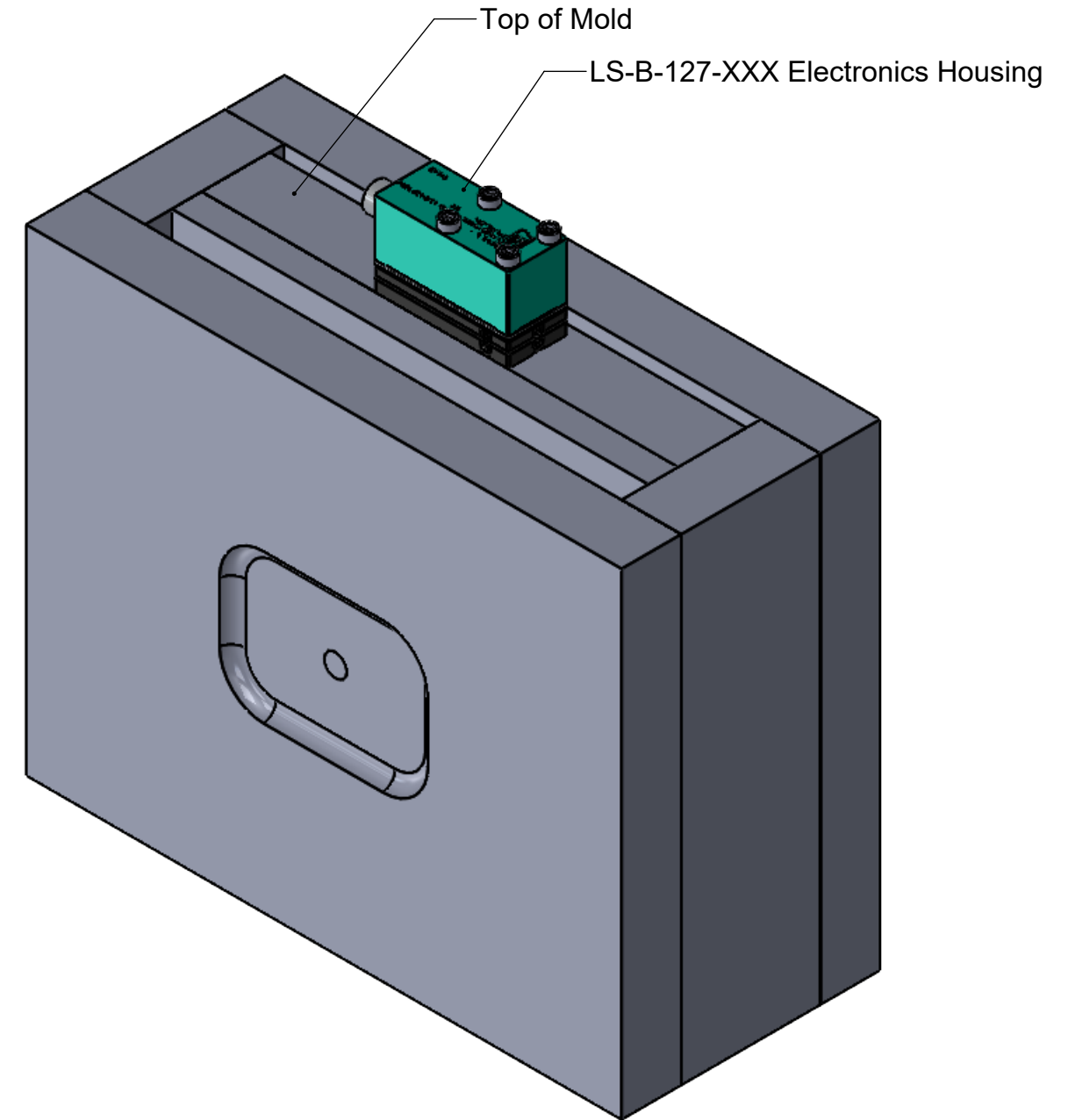
- NOTES:**
1. ENCLOSED EJECTOR BOX SUGGESTED.
  2. DO NOT SCALE PRINT
  3. BREAK ALL SHARP EDGES, 0.005 [0.03] R MAX
  4. DIMENSIONS IN INCHES [MM], UNLESS NOTED
  5. TOLERANCES UNLESS SPECIFIED:  
 XXX = ±0.003 [0.08]  
 XX = ±0.01 [0.3]  
 ANGLES = ±3° 30°

 3111 Park Street, Traverse City, MI 49606 231-946-2111   www.rjg.com	Description: LSB127-XXXX Sensor Installation
	Drawn: K.J.Brettschneider
	Design:
	Check: M.Groleau
Date: 04.16.2026	

LSB127-XXXX Single-Channel Sensor Installation—Ejector Plate Installation



SECTION M-M  
SCALE 1 : 2.5



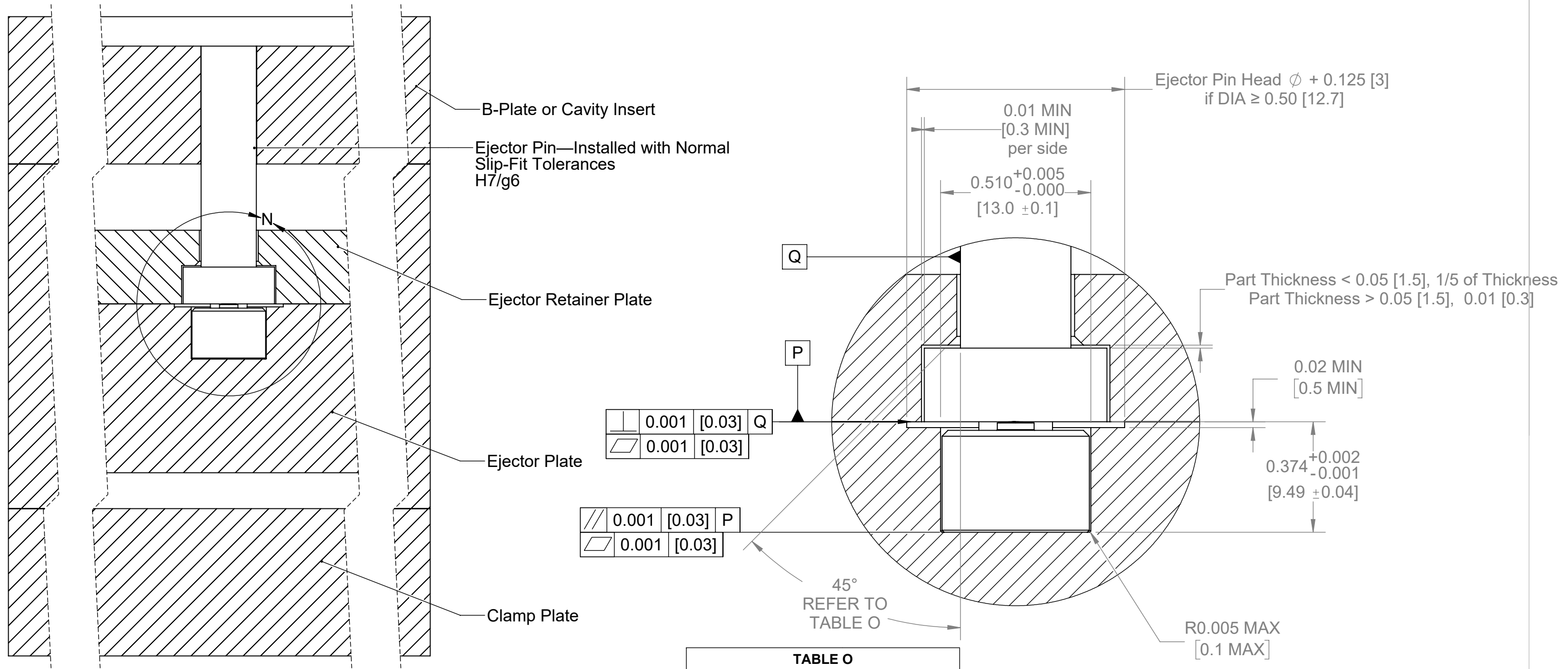
NOTES:

1. ENCLOSED EJECTOR BOX SUGGESTED.
2. DO NOT SCALE PRINT
3. BREAK ALL SHARP EDGES, 0.005 [0.03] R MAX
4. DIMENSIONS IN INCHES [MM], UNLESS NOTED
5. TOLERANCES UNLESS SPECIFIED:  
 XXX =  $\pm 0.003$  [0.08]  
 XX =  $\pm 0.01$  [0.3]  
 ANGLES =  $\pm 3^\circ$  30°



Description: LSB127-XXXX  
Sensor Installation  
 Drawn: K.J.Brettschneider  
 Design:  
 Check: M.Groleau  
 Date: 04.16.2026

LSB127-XXXX Single-Channel Sensor Installation—Ejector Plate Installation



	0.001	[0.03]	Q
	0.001	[0.03]	

	0.001	[0.03]	P
	0.001	[0.03]	

TABLE O	
	Chamfer Length
0.04–0.08 [1.0–2.0]	0.01 [0.3]
0.10–0.20 [2.5–5.0]	0.02 [0.4]
0.24–0.40 [6.0–10.0]	0.25 [0.6]

DETAIL N  
SCALE 3 : 1

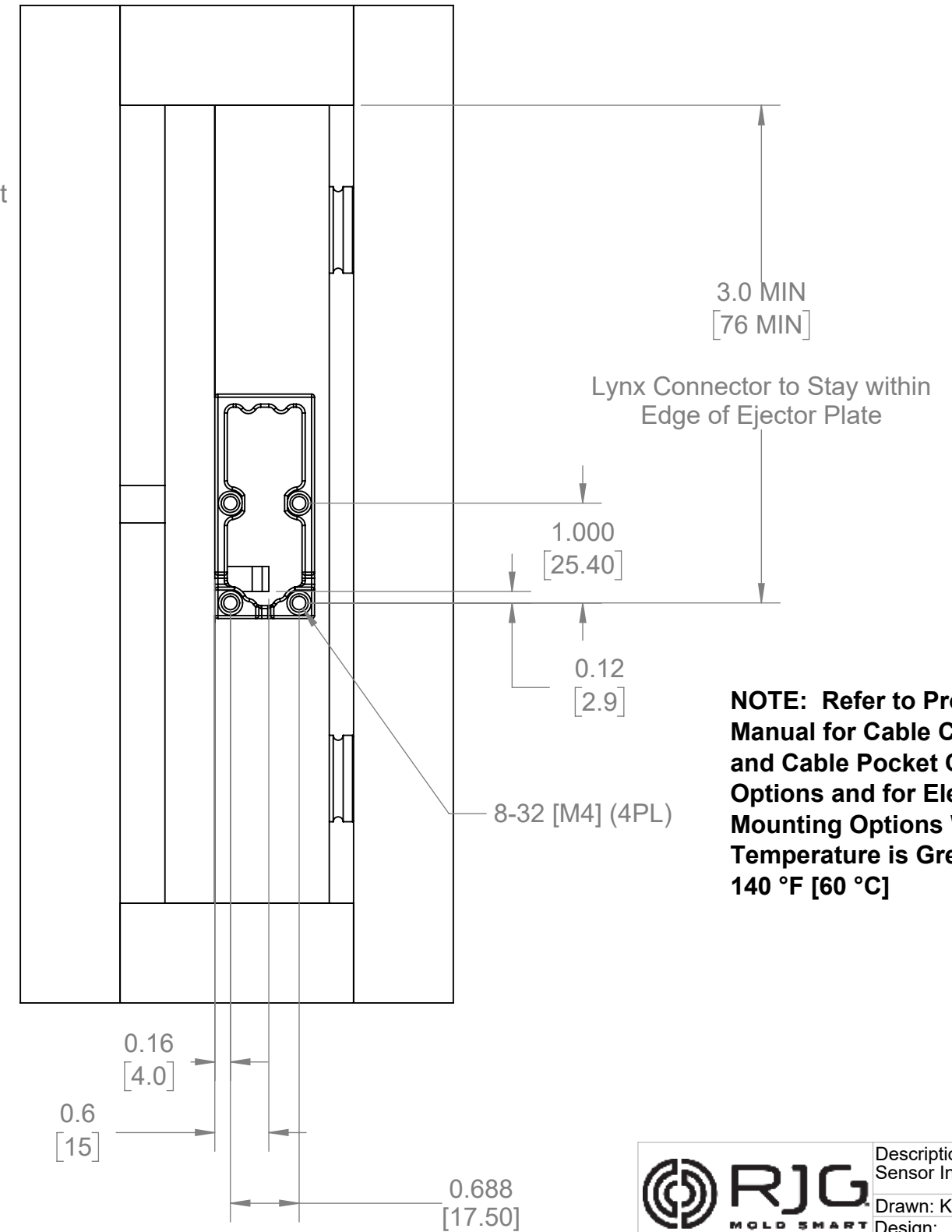
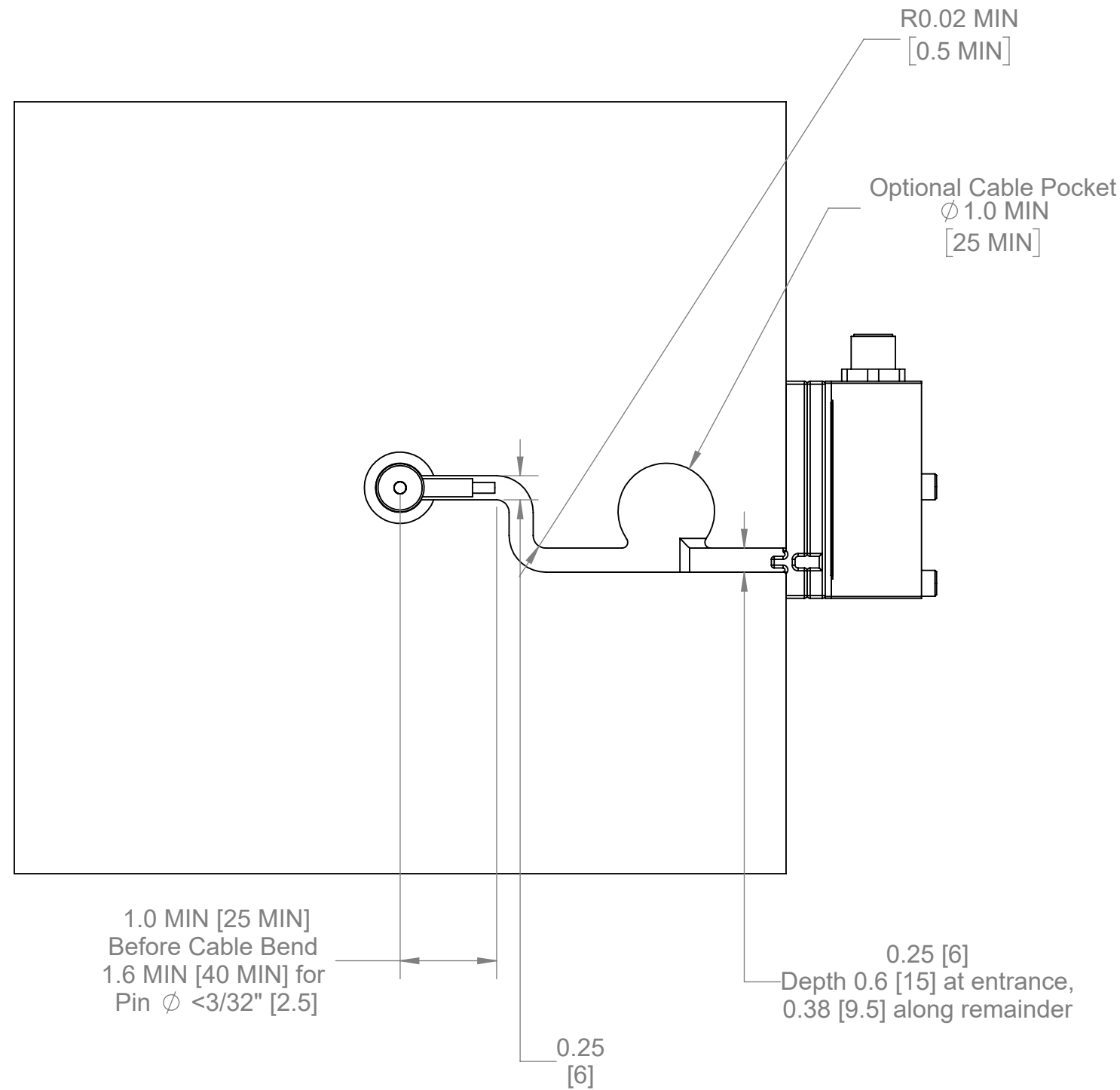
- NOTES:
- ENCLOSED EJECTOR BOX SUGGESTED.
  - DO NOT SCALE PRINT
  - BREAK ALL SHARP EDGES, 0.005 [0.03] R MAX
  - DIMENSIONS IN INCHES [MM], UNLESS NOTED
  - TOLERANCES UNLESS SPECIFIED:  
 XXX = ±0.003 [0.08]  
 XX = ±0.01 [0.3]  
 ANGLES = ±3° 30°

 311 Park Street, Traverso City, NJ 08006 201-264-2111   www.rjg.com	Description: LSB127-XXXX Sensor Installation
	Drawn: K.J.Brettschneider
	Design:
	Check: M.Groleau
	Date: 04.16.2026




### LSB127-XXXX Single-Channel Sensor Installation—Ejector Plate Installation

NOTE: Lynx sensor electronics case mounted in the orientation as shown to prevent damage to components.



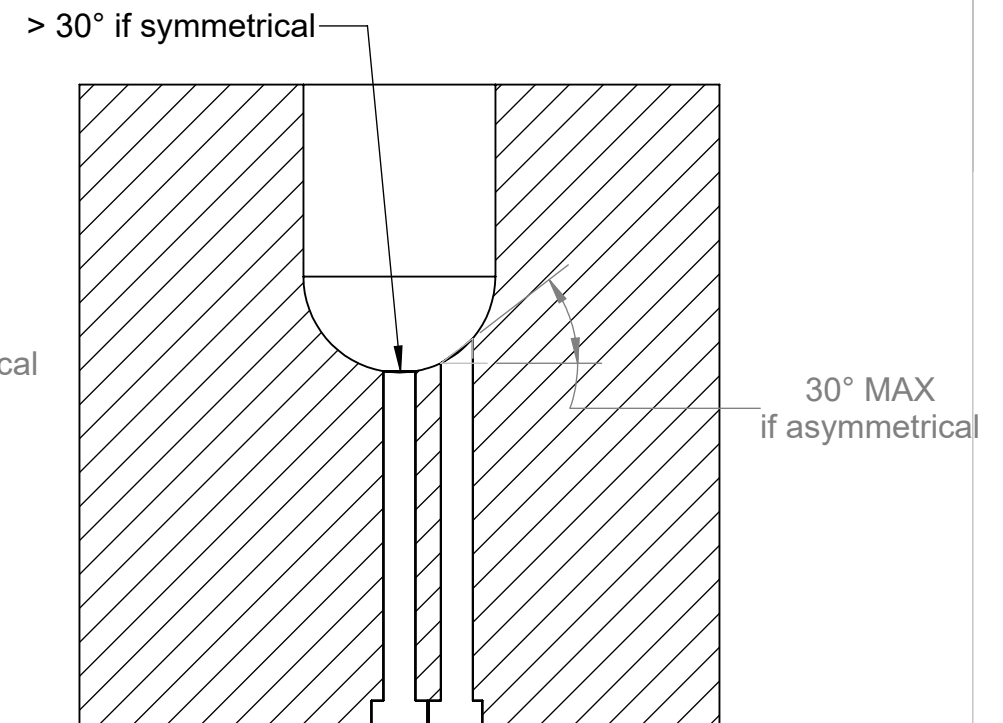
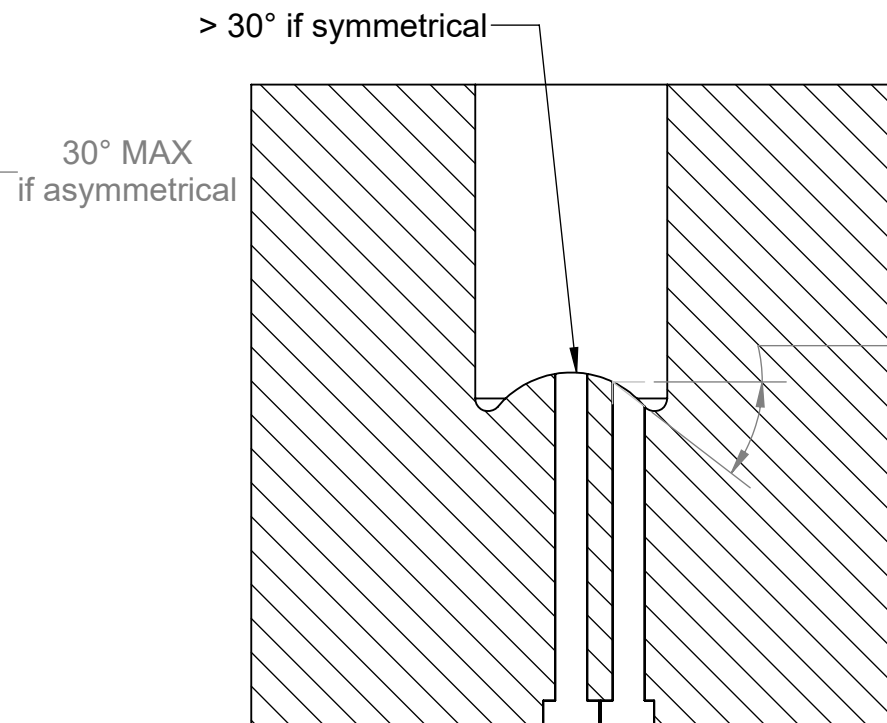
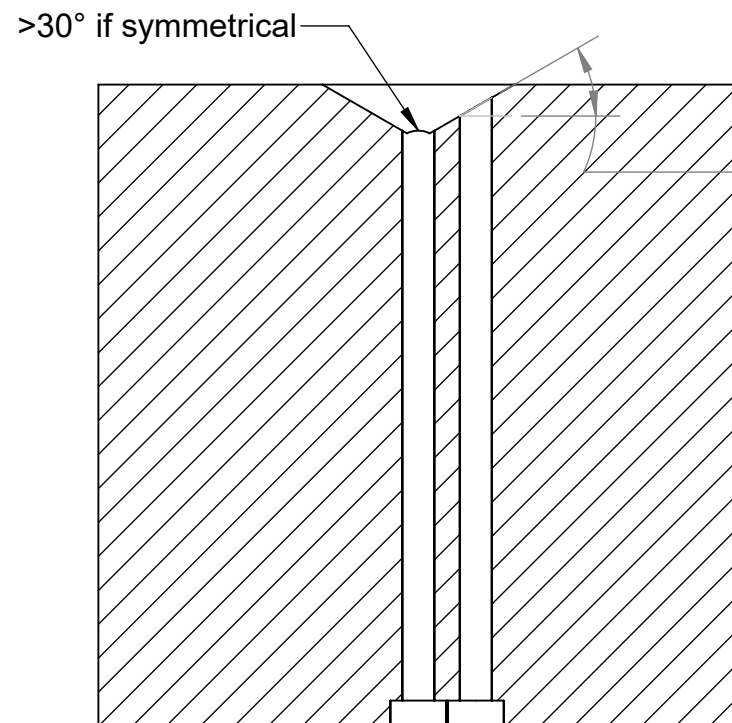
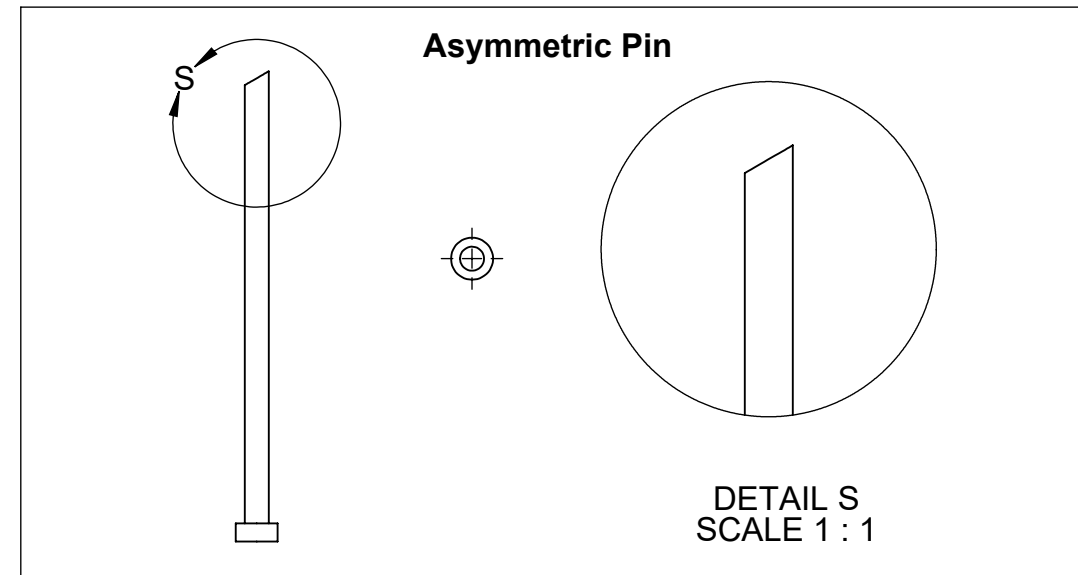
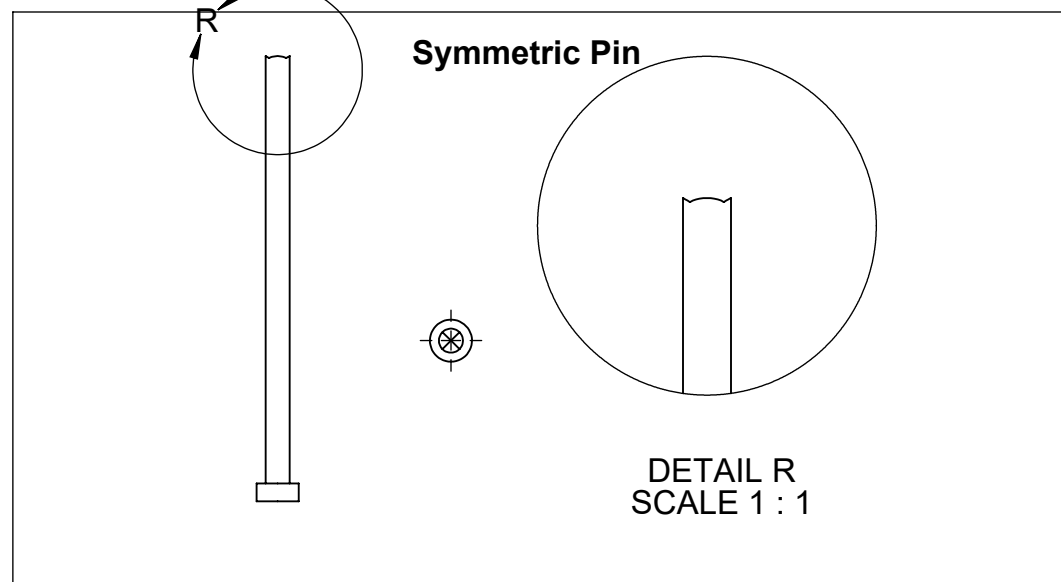
NOTE: Refer to Product Manual for Cable Channel and Cable Pocket Cover Options and for Electronics Mounting Options When Mold Temperature is Greater Than 140 °F [60 °C]

- NOTES:
1. ENCLOSED EJECTOR BOX SUGGESTED.
  2. DO NOT SCALE PRINT
  3. BREAK ALL SHARP EDGES, 0.005 [0.03] R MAX
  4. DIMENSIONS IN INCHES [MM], UNLESS NOTED
  5. TOLERANCES UNLESS SPECIFIED:  
 XXX =  $\pm 0.003$  [0.08]  
 XX =  $\pm 0.01$  [0.3]  
 ANGLES =  $\pm 3^\circ$  30°


 <small>311 Park Street, Traverse City, MI 49606          231-946-2111   www.rjg.com</small>	Description: LSB127-XXXX Sensor Installation
	Drawn: K.J.Brettschneider
	Design:
	Check: M.Groleau
Date: 04.16.2026	

LSB127-XXXX Sensor Installation—Contoured Pin Angle Specification

NOTE: Contoured/angled pins (asymmetric) not to exceed 30° MAX unless pin design is symmetrical to provide even, downward pressure across pin surface to loading of sensor. Contact RJG Customer Support for assistance in verification of contoured/angled pin use.

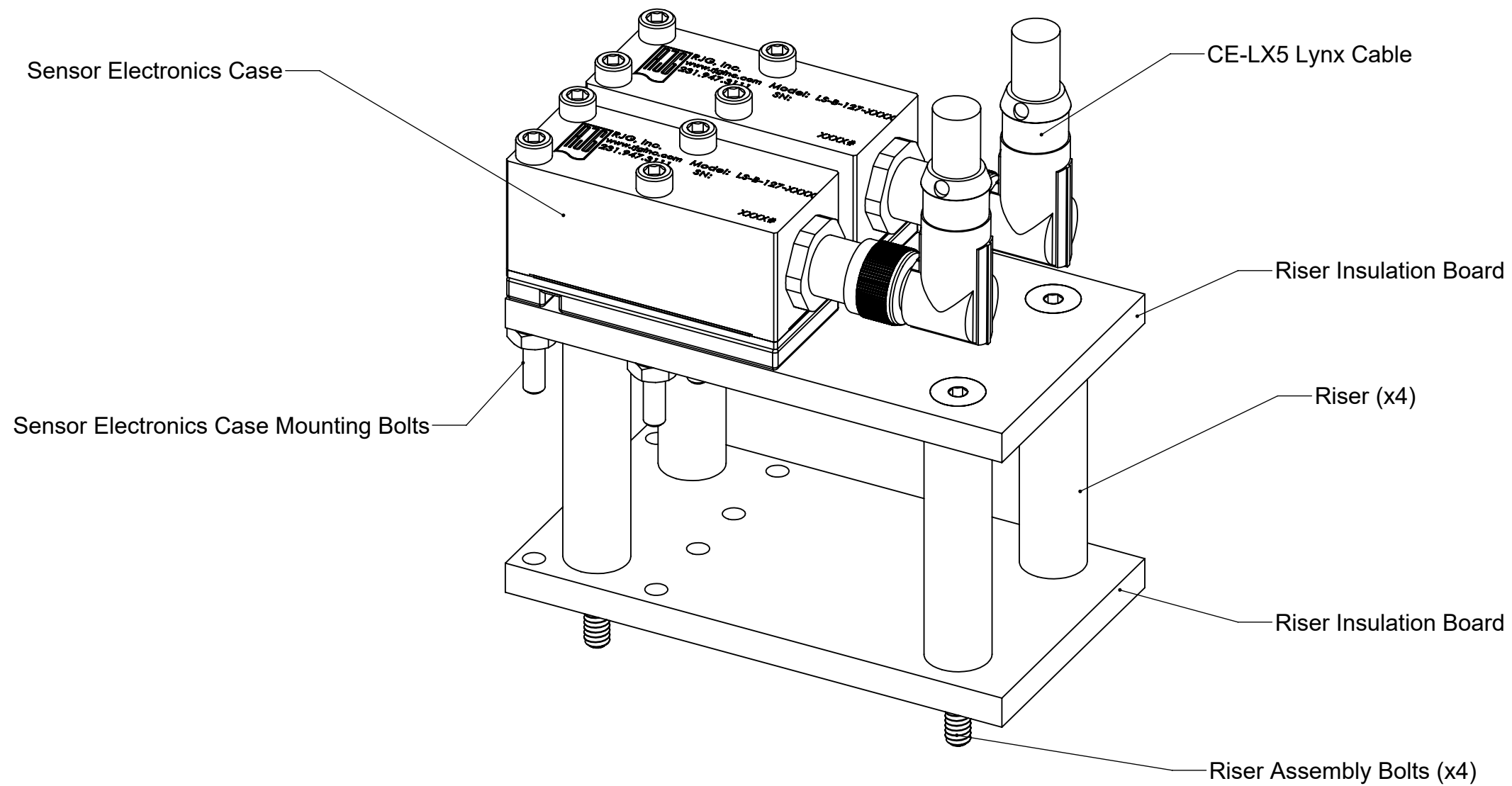


- NOTES:
1. ENCLOSED EJECTOR BOX SUGGESTED.
  2. DO NOT SCALE PRINT
  3. BREAK ALL SHARP EDGES, 0.005 [0.03] R MAX
  4. DIMENSIONS IN INCHES [MM], UNLESS NOTED
  5. TOLERANCES UNLESS SPECIFIED:  
 XXX = ±0.003 [0.08]  
 XX = ±0.01 [0.3]  
 ANGLES = ±3° 30°


 <p>311 Park Street, Traverso City, NJ 08086                  201-264-2111   www.rjg.com</p>	Description: LSB127-XXXX Sensor Installation
	Drawn: K.J.Brettschneider
	Design:
	Check: M.Groleau
Date: 04.16.2026	

### LSB127-XXXX-H Sensor Installation—Sensor Electronics Housing Installation for High Temperatures

**NOTE: The sensor electronics housing must be kept below 140 °F (60 °C) for all LSB127-XXXX and LSB127-XXXX-H sensor models. Refer to the drawing below as a guide; RJG does NOT provide riser assembly pictured below—riser assembly and design is responsibility of customer. Contact RJG Customer Support for assistance with high-temperature sensor electronics housing protection designs.**



- NOTES:
1. ENCLOSED EJECTOR BOX SUGGESTED.
  2. DO NOT SCALE PRINT
  3. BREAK ALL SHARP EDGES, 0.005 [0.03] R MAX
  4. DIMENSIONS IN INCHES [MM], UNLESS NOTED
  5. TOLERANCES UNLESS SPECIFIED:  
 XXX = ±0.003 [0.08]  
 XX = ±0.01 [0.3]  
 ANGLES = ±3° 30°

 <p>3111 Park Street, Traverse City, MI 49686 231-946-2111   www.rjg.com</p>	Description: LSB127-XXXX Sensor Installation
	Drawn: K.J.Brettschneider
	Design:
	Check: M.Groleau Date: 04.16.2026