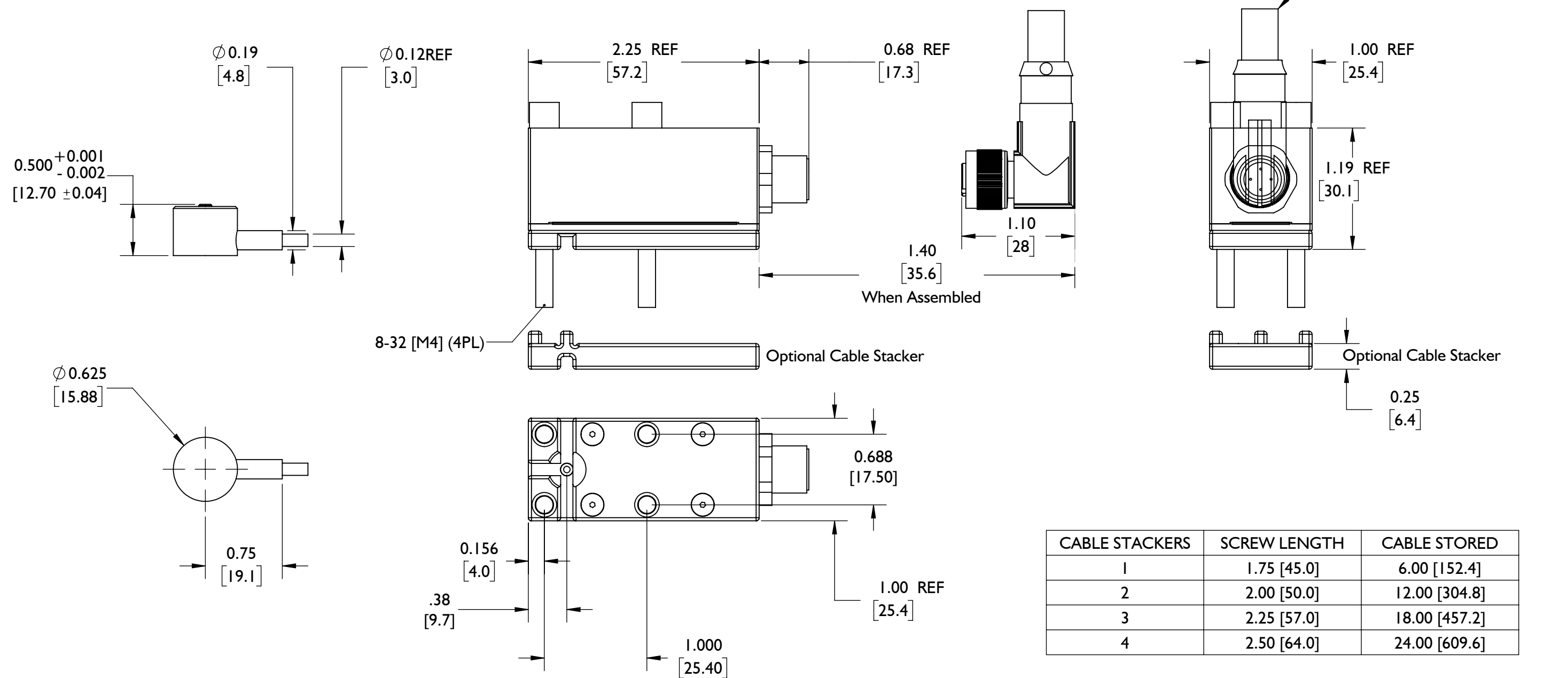


Drawing Title: LS-B-159-4000-01

LS-B-159-4000 Single-Channel Sensor Installation—Sensor and Optional Cable Stacker Dimensions



CE-LX5 Lynx Cable
Keyed to 90° When Installed

8-32 [M4] (4PL) Optional Cable Stacker

Optional Cable Stacker

Optional Cable Stacker accomodates up to 4.0" [101.6] of extra cable.

- NOTES:
1. CLAMP PLATE APPLICATIONS REQUIRE GUIDED EJECTION
 2. EJECTOR AND TRANSFER PIN CONCENTRICITY MUST BE WITHIN 0.030" [0.76] OR 10% OF EJECTOR PIN DIA, WHICHEVER IS SMALLER.
 3. ENCLOSED EJECTOR BOX SUGGESTED.
 4. DO NOT SCALE PRINT
 5. BREAK ALL SHARP EDGES, 0.005 [0.03] R MAX
 6. DIMENSIONS IN INCHES [MM], UNLESS NOTED
 7. TOLERANCES UNLESS SPECIFIED:
 XXX = ± 0.003 [0.08]
 XX = ± 0.01 [0.3]
 ANGLES = $\pm 3^\circ$ 30°

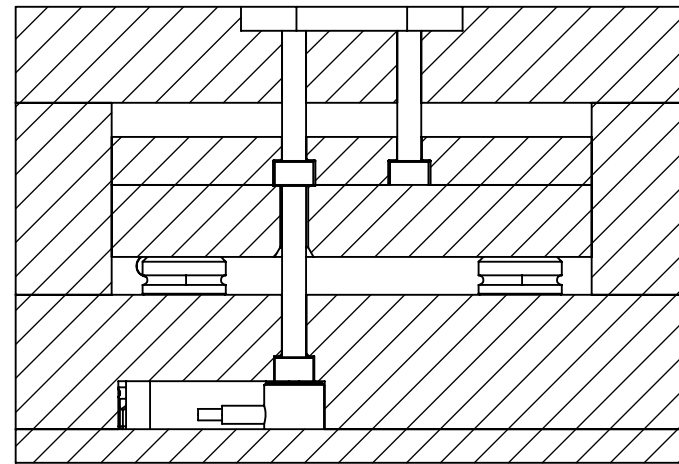
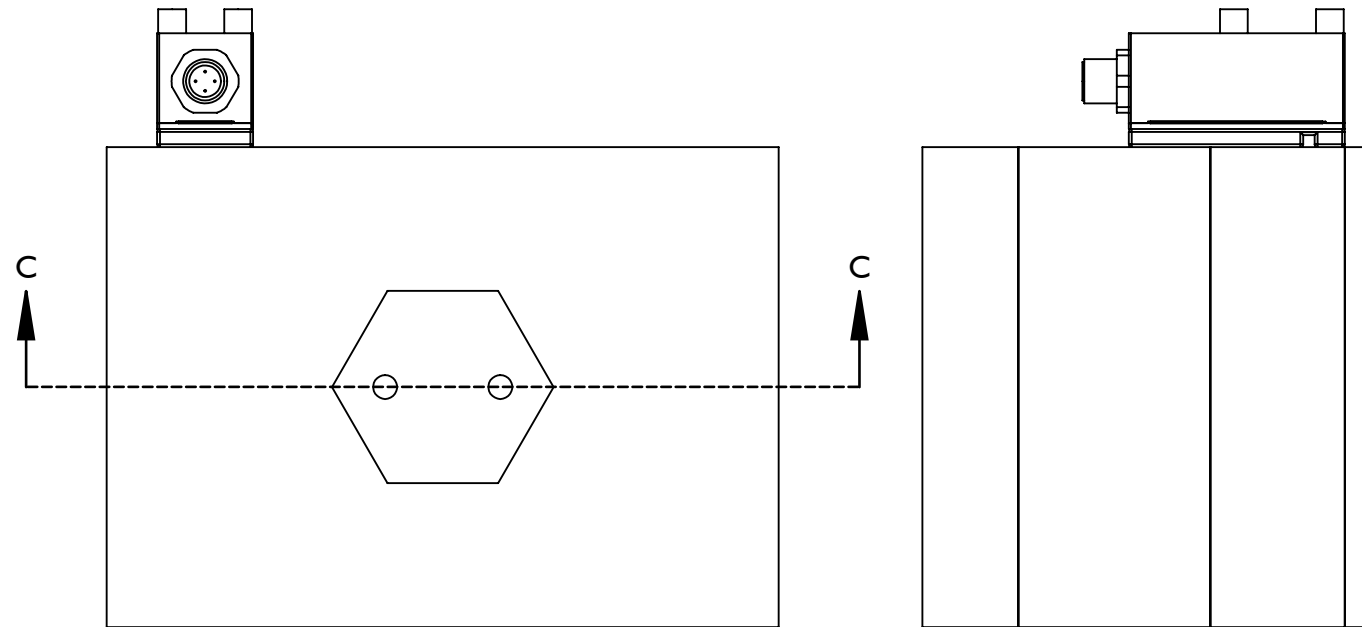
3111 Park Street, Traverso City, NJ 08006
201-264-2111 | WWW.RJGUSA.COM

Description: LS-B-159-4000 Sensor Installation
 Drawn: K.J.Brettschneider
 Design:
 Check: M.Groleau
 Date: 11.18.2021

Drawing Title: LS-B-159-4000-02

LS-B-159-4000 Single-Channel Sensor Installation—Clamp Plate Installation

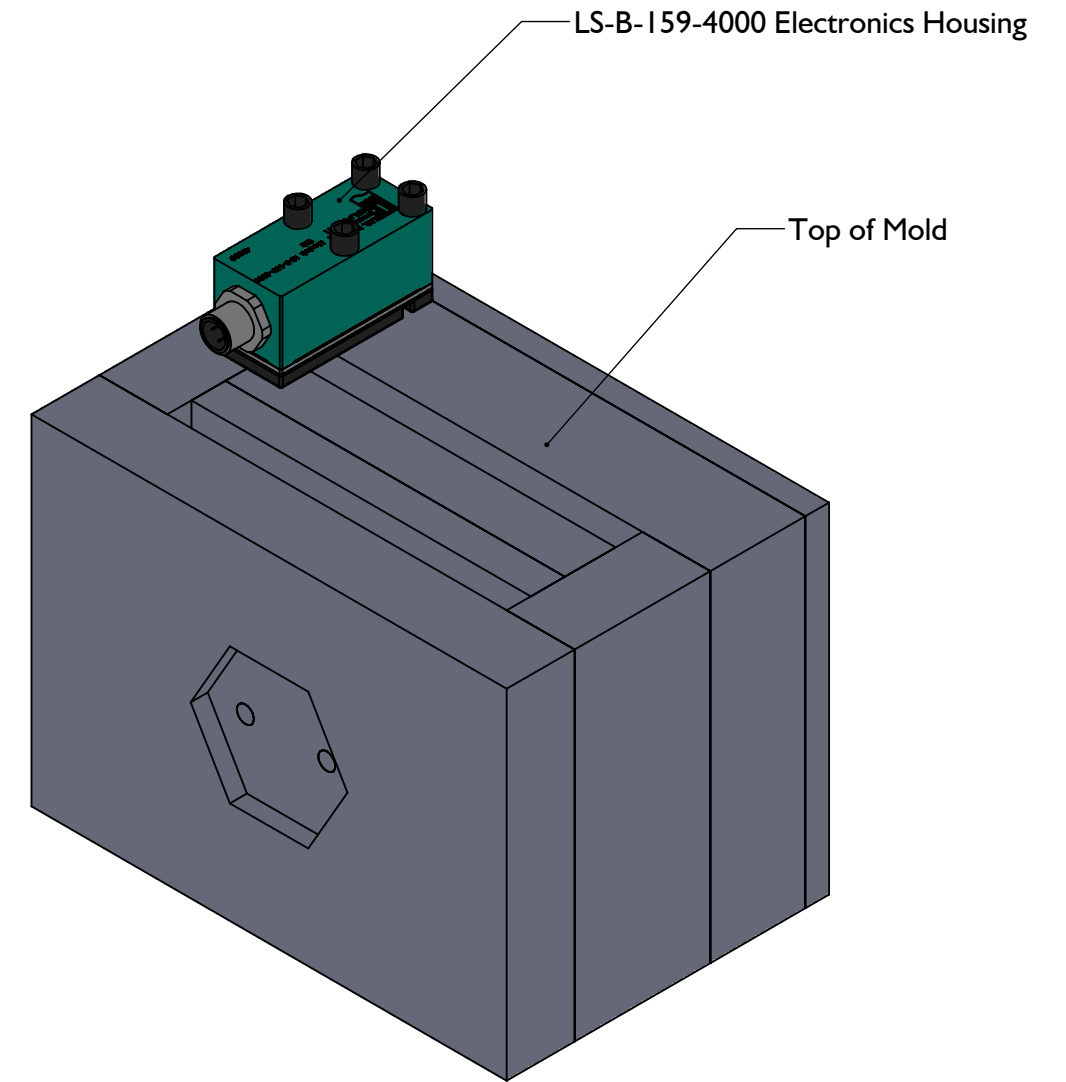
****CLAMP PLATE INSTALLATION FOR PINS $\leq \varnothing 0.25$ [7.0]; PINS $> \varnothing 0.25$ [7.0] USE HEAD-TO-HEAD INSTALLATION ON SHEET LS-B-159-40000-04 & -05.****



SECTION C-C
SCALE 1 : 2

NOTES:

1. CLAMP PLATE APPLICATIONS REQUIRE GUIDED EJECTION
2. EJECTOR AND TRANSFER PIN CONCENTRICITY MUST BE WITHIN 0.030" [0.76] OR 10% OF EJECTOR PIN DIA, WHICHEVER IS SMALLER.
3. ENCLOSED EJECTOR BOX SUGGESTED.
4. DO NOT SCALE PRINT
5. BREAK ALL SHARP EDGES, 0.005 [0.03] R MAX
6. DIMENSIONS IN INCHES [MM], UNLESS NOTED
7. TOLERANCES UNLESS SPECIFIED:
 XXX = ± 0.003 [0.08]
 XX = ± 0.01 [0.3]
 ANGLES = $\pm 3^\circ$ 30°

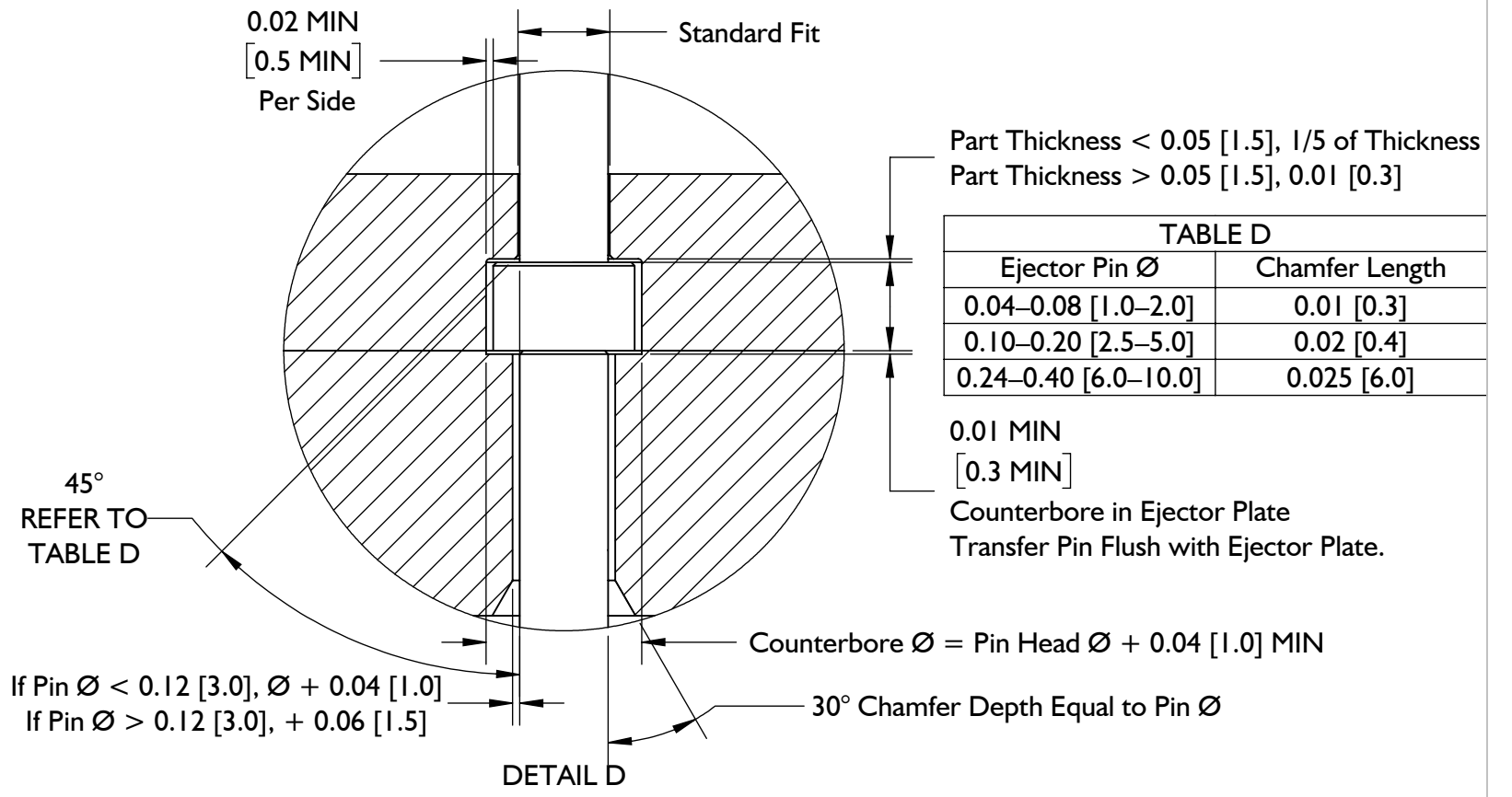
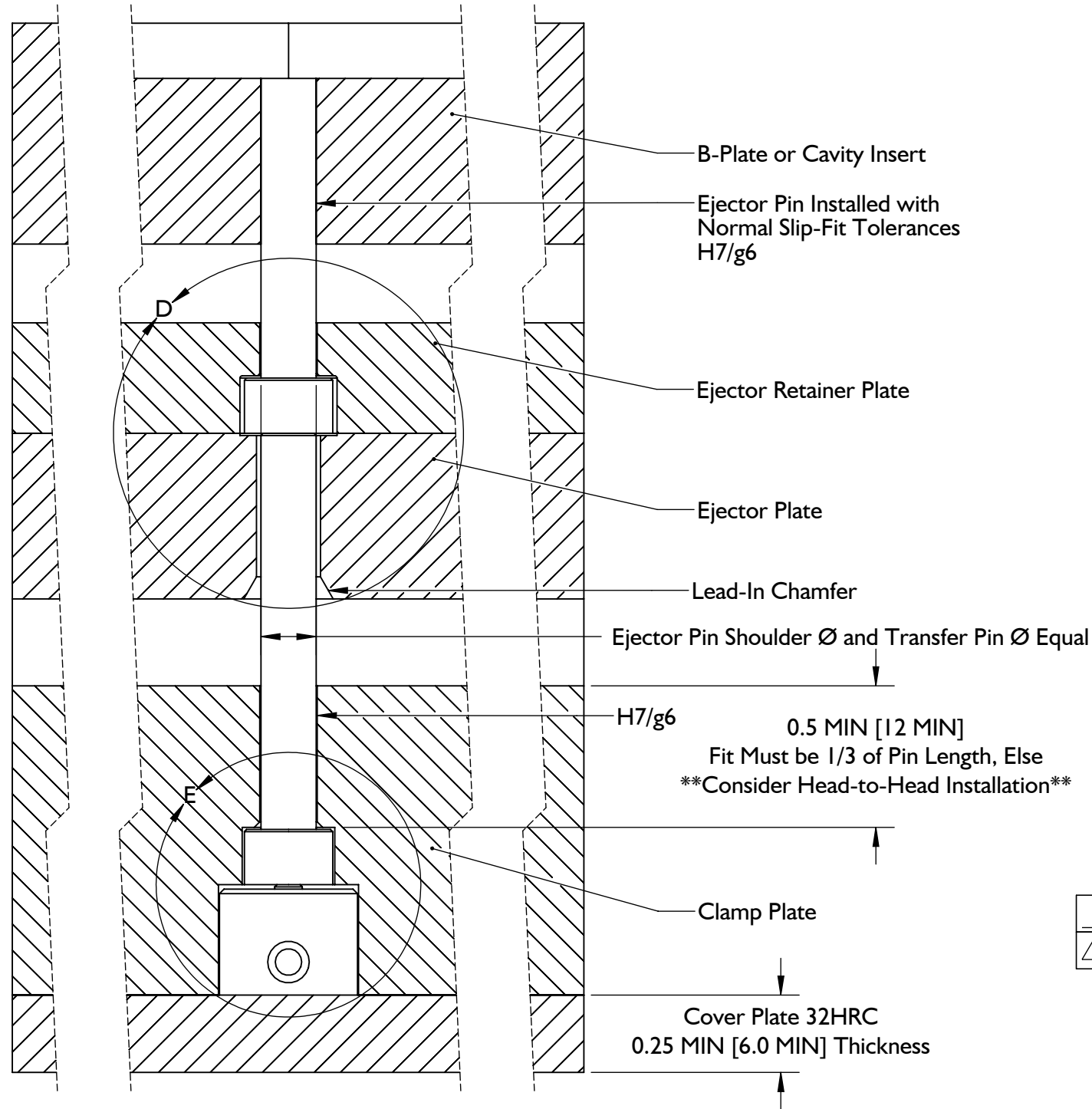


Description: LS-B-159-4000
Sensor Installation
 Drawn: K.J.Brettschneider
 Design:
 Check: M.Groleau
 Date: 11.18.2021

Drawing Title: LS-B-159-4000-03

LS-B-159-4000 Single-Channel Sensor Installation—Clamp Plate Installation

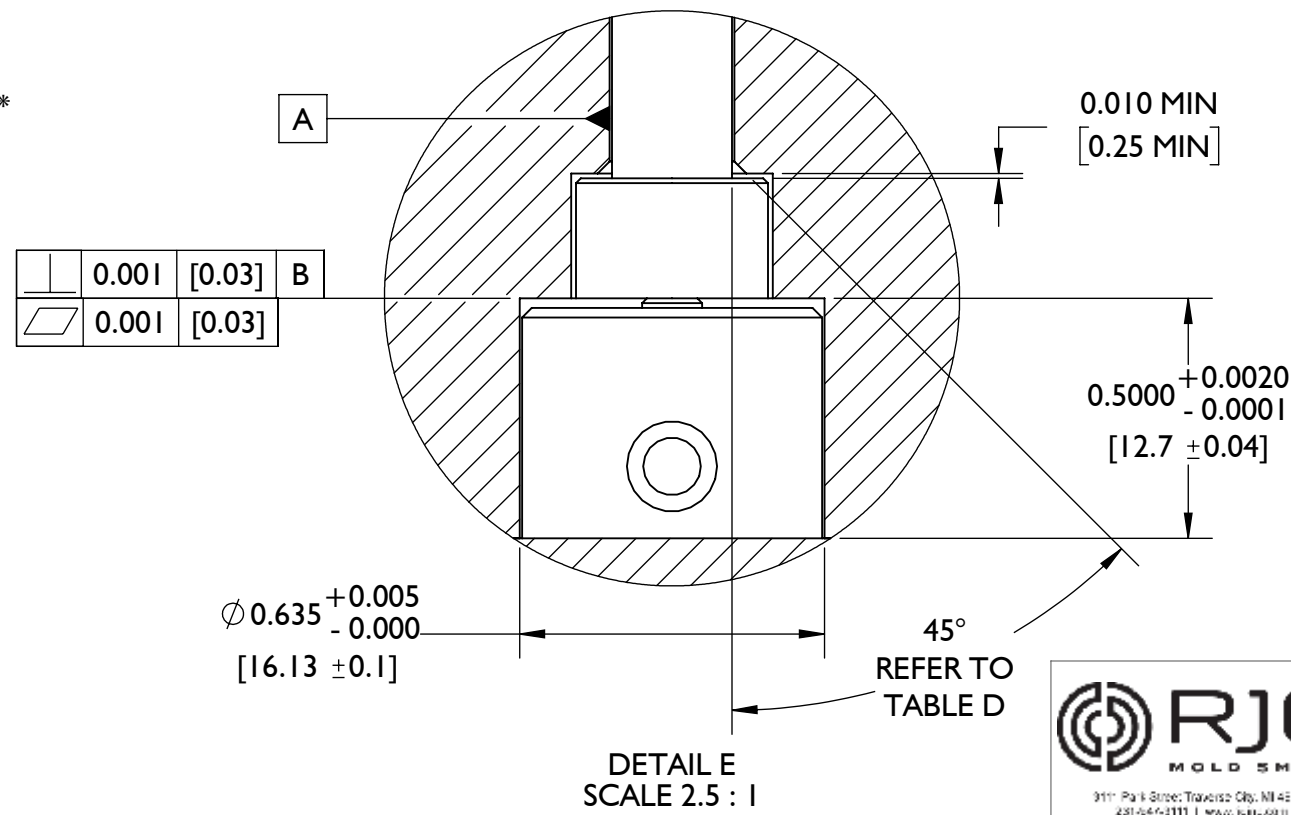
****CLAMP PLATE INSTALLATION FOR PINS $\leq \varnothing 0.25$ [7.0]; PINS $> \varnothing 0.25$ [7.0] USE HEAD-TO-HEAD INSTALLATION ON SHEET LS-B-159-40000-04 & -05.****



Part Thickness < 0.05 [1.5], 1/5 of Thickness
Part Thickness > 0.05 [1.5], 0.01 [0.3]

TABLE D	
Ejector Pin \varnothing	Chamfer Length
0.04–0.08 [1.0–2.0]	0.01 [0.3]
0.10–0.20 [2.5–5.0]	0.02 [0.4]
0.24–0.40 [6.0–10.0]	0.025 [6.0]

If Pin $\varnothing < 0.12$ [3.0], $\varnothing + 0.04$ [1.0]
If Pin $\varnothing > 0.12$ [3.0], $+ 0.06$ [1.5]



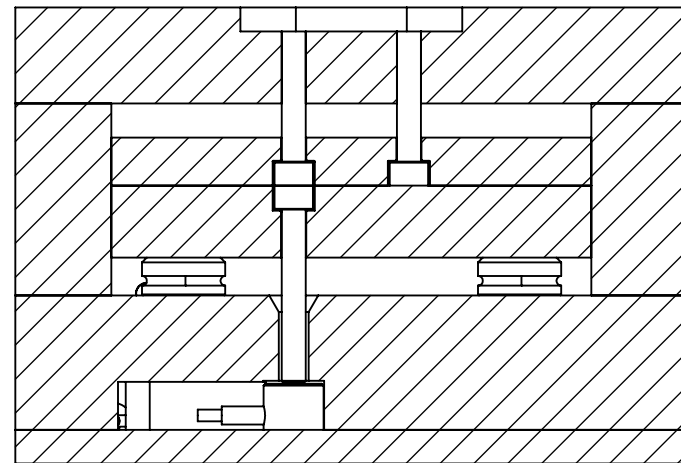
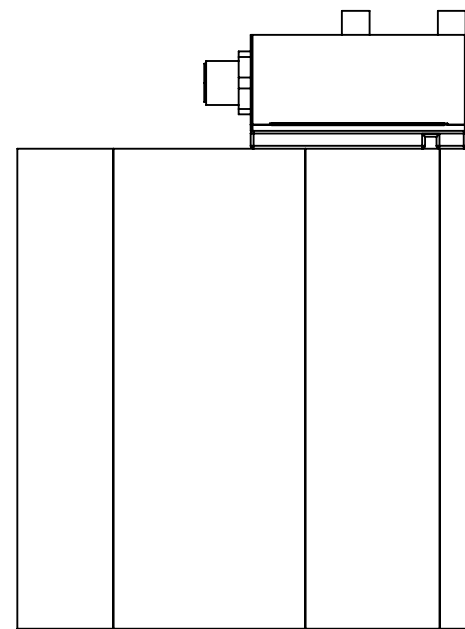
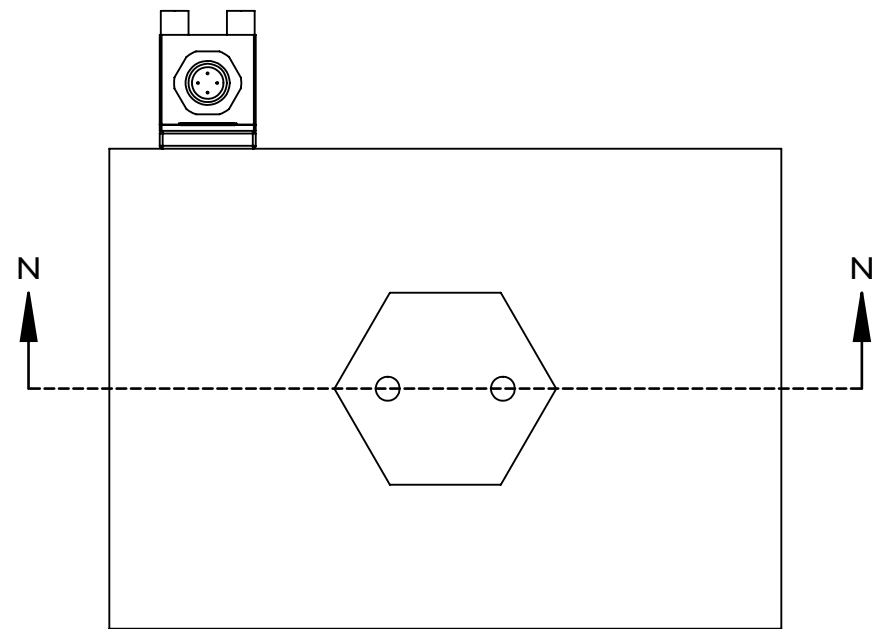
- NOTES:
1. CLAMP PLATE APPLICATIONS REQUIRE GUIDED EJECTION
 2. EJECTOR AND TRANSFER PIN CONCENTRICITY MUST BE WITHIN 0.030" [0.76] OR 10% OF EJECTOR PIN DIA, WHICHEVER IS SMALLER.
 3. ENCLOSED EJECTOR BOX SUGGESTED.
 4. DO NOT SCALE PRINT
 5. BREAK ALL SHARP EDGES, 0.005 [0.03] R MAX
 6. DIMENSIONS IN INCHES [MM], UNLESS NOTED
 7. TOLERANCES UNLESS SPECIFIED:
XXX = ± 0.003 [0.08]
XX = ± 0.01 [0.3]
ANGLES = $\pm 3^\circ$ 30°

3111 Park Street, Traverse City, MI 49686
231-944-2111 | WWW.RJG.COM

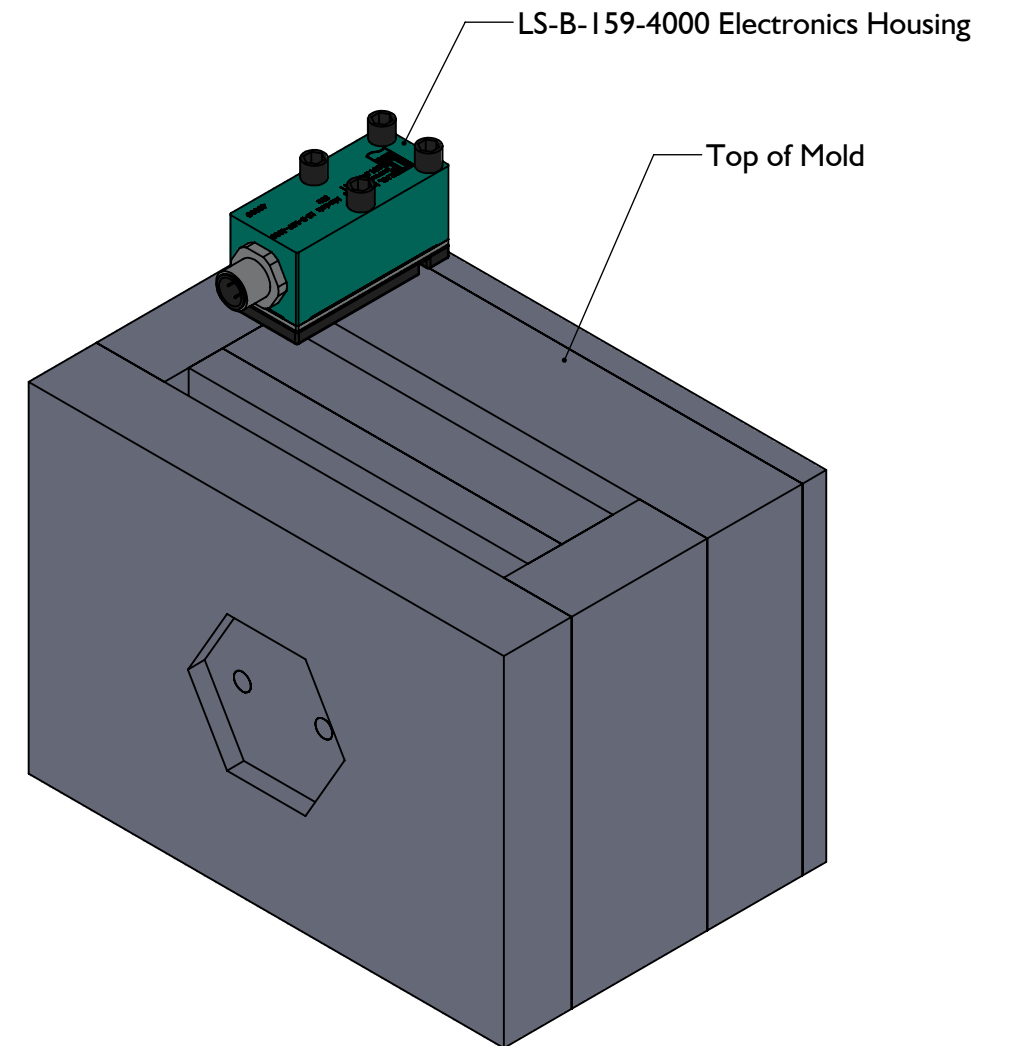
Description: LS-B-159-4000 Sensor Installation
 Drawn: K.J.Brettschneider
 Design:
 Check: M.Groleau
 Date: 11.18.2021

Drawing Title: LS-B-159-4000-04

LS-B-159-4000 Single-Channel Sensor Installation—Head-to-Head Installation
 CLAMP PLATE INSTALLATION FOR PINS $\leq \text{Ø}0.25$ [7.0]; PINS $> \text{Ø}0.25$ [7.0] USE HEAD-TO-HEAD INSTALLATION.




SECTION N-N
SCALE 1 : 2



NOTES:

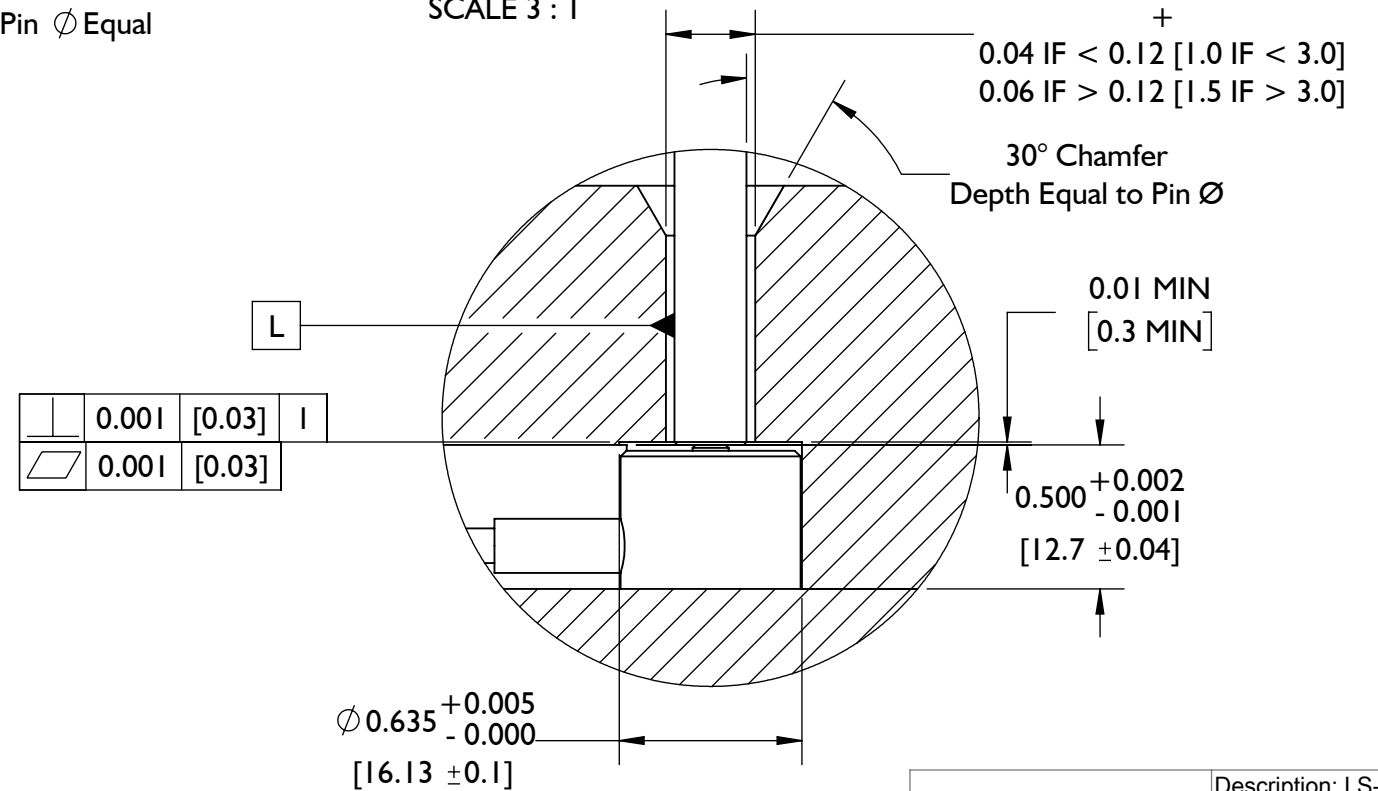
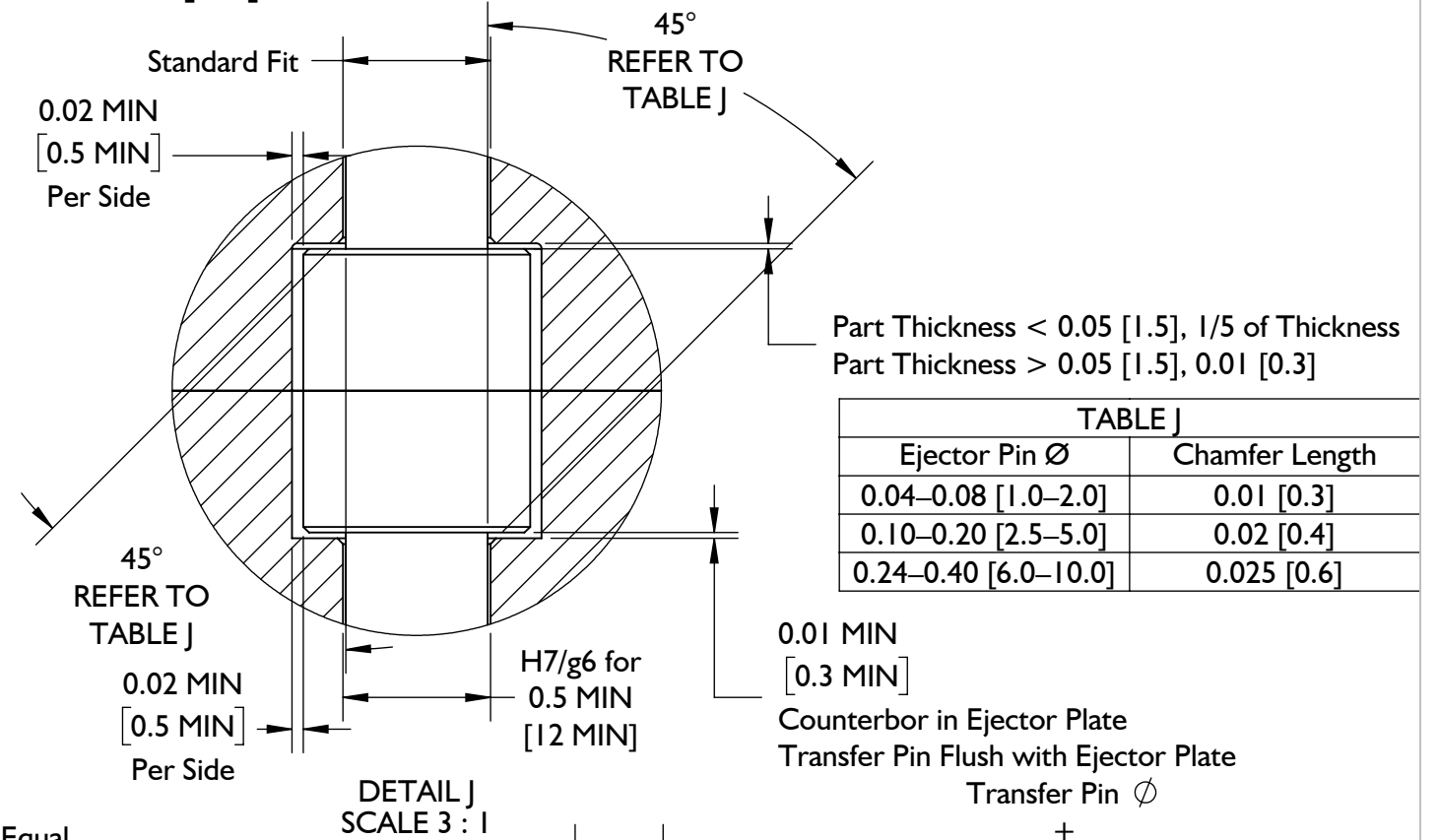
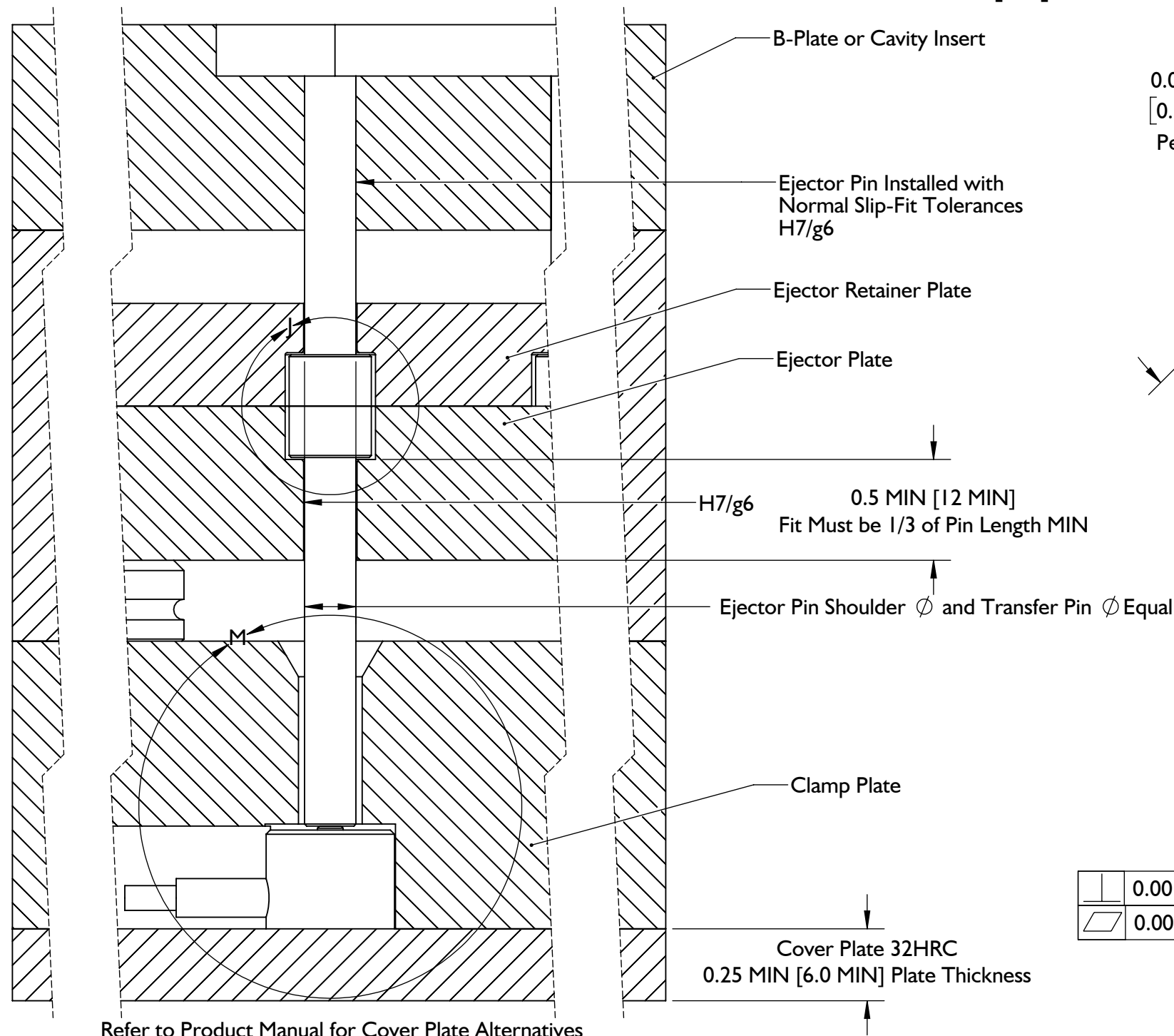
1. CLAMP PLATE APPLICATIONS REQUIRE GUIDED EJECTION
2. EJECTOR AND TRANSFER PIN CONCENTRICITY MUST BE WITHIN 0.030" [0.76] OR 10% OF EJECTOR PIN DIA, WHICHEVER IS SMALLER.
3. ENCLOSED EJECTOR BOX SUGGESTED.
4. DO NOT SCALE PRINT
5. BREAK ALL SHARP EDGES, 0.005 [0.03] R MAX
6. DIMENSIONS IN INCHES [MM], UNLESS NOTED
7. TOLERANCES UNLESS SPECIFIED:
 XXX = ± 0.003 [0.08]
 XX = ± 0.01 [0.3]
 ANGLES = $\pm 3^\circ 30'$

 3111 Park Street, Traverse City, MI 49606 231-944-2111 www.rjg.com	Description: LS-B-159-4000 Sensor Installation
	Drawn: K.J.Brettschneider
	Design:
	Check: M.Groleau
	Date: 11.18.2021

Drawing Title: LS-B-159-4000-05

LS-B-159-4000 Single-Channel Sensor Installation—Head-to-Head Installation

****CLAMP PLATE INSTALLATION FOR PINS ≤ Ø0.25 [7.0]; PINS > Ø0.25 [7.0] USE HEAD-TO-HEAD INSTALLATION.****



NOTES:

1. CLAMP PLATE APPLICATIONS REQUIRE GUIDED EJECTION
2. EJECTOR AND TRANSFER PIN CONCENTRICITY MUST BE WITHIN 0.030" [0.76] OR 10% OF EJECTOR PIN DIA, WHICHEVER IS SMALLER.
3. ENCLOSED EJECTOR BOX SUGGESTED.
4. DO NOT SCALE PRINT
5. BREAK ALL SHARP EDGES, 0.005 [0.03] R MAX
6. DIMENSIONS IN INCHES [MM], UNLESS NOTED
7. TOLERANCES UNLESS SPECIFIED:
 XXX = ±0.003 [0.08]
 XX = ±0.01 [0.3]
 ANGLES = ±3° 30°

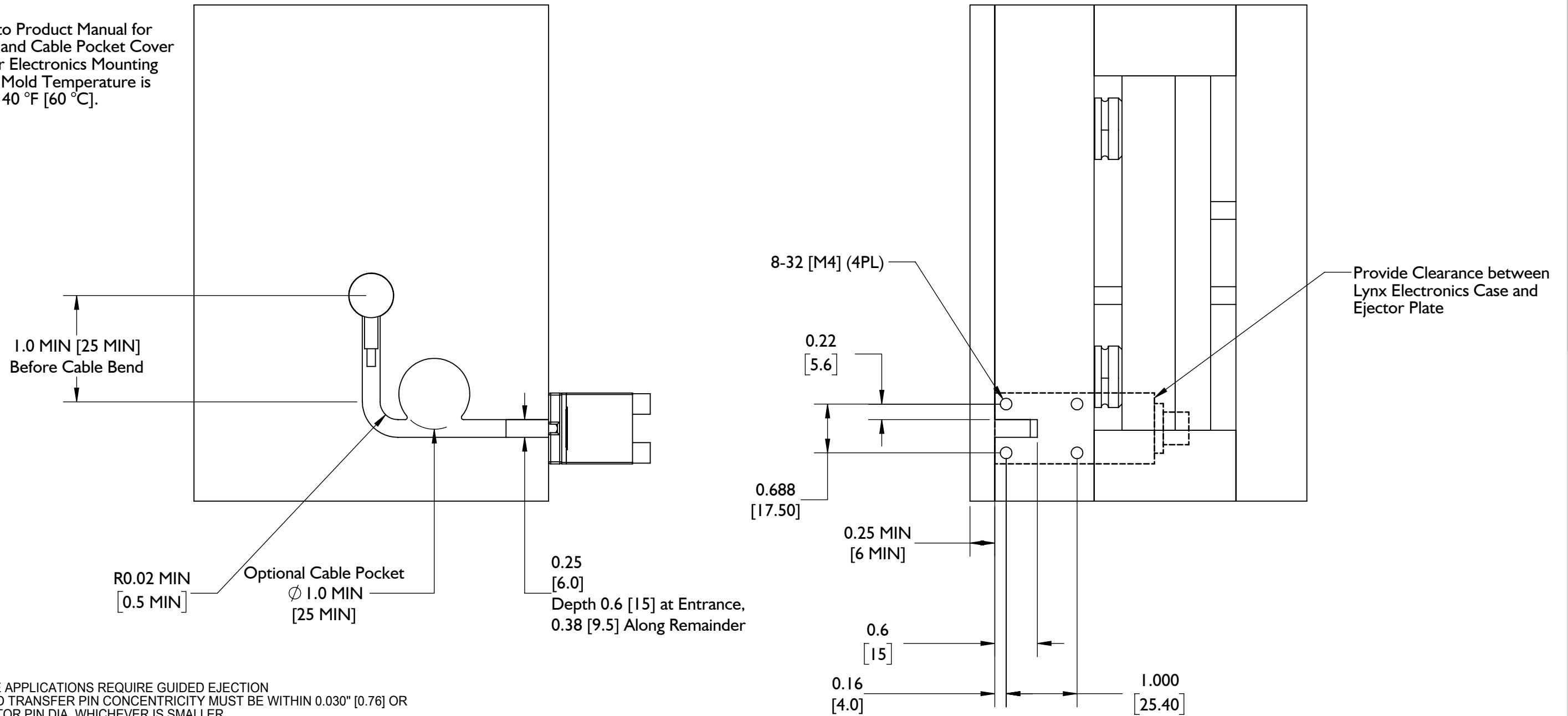
	Description: LS-B-159-4000 Sensor Installation
	Drawn: K.J.Brettschneider
	Design:
	Check: M.Groleau
Date: 11.18.2021	

Drawing Title: LS-B-159-4000-06

LS-B-159-4000 Single-Channel Sensor Installation—Clamp Plate/Head-to-Head Installation


NOTE: Lynx sensor electronics case mounted in the orientation shown as to allow access to the Lynx cable connection.
Refer to Product Manual for alternate electronics case mounting options.

NOTE: Refer to Product Manual for Cable Channel and Cable Pocket Cover Options and for Electronics Mounting Options When Mold Temperature is Greater Than 140 °F [60 °C].

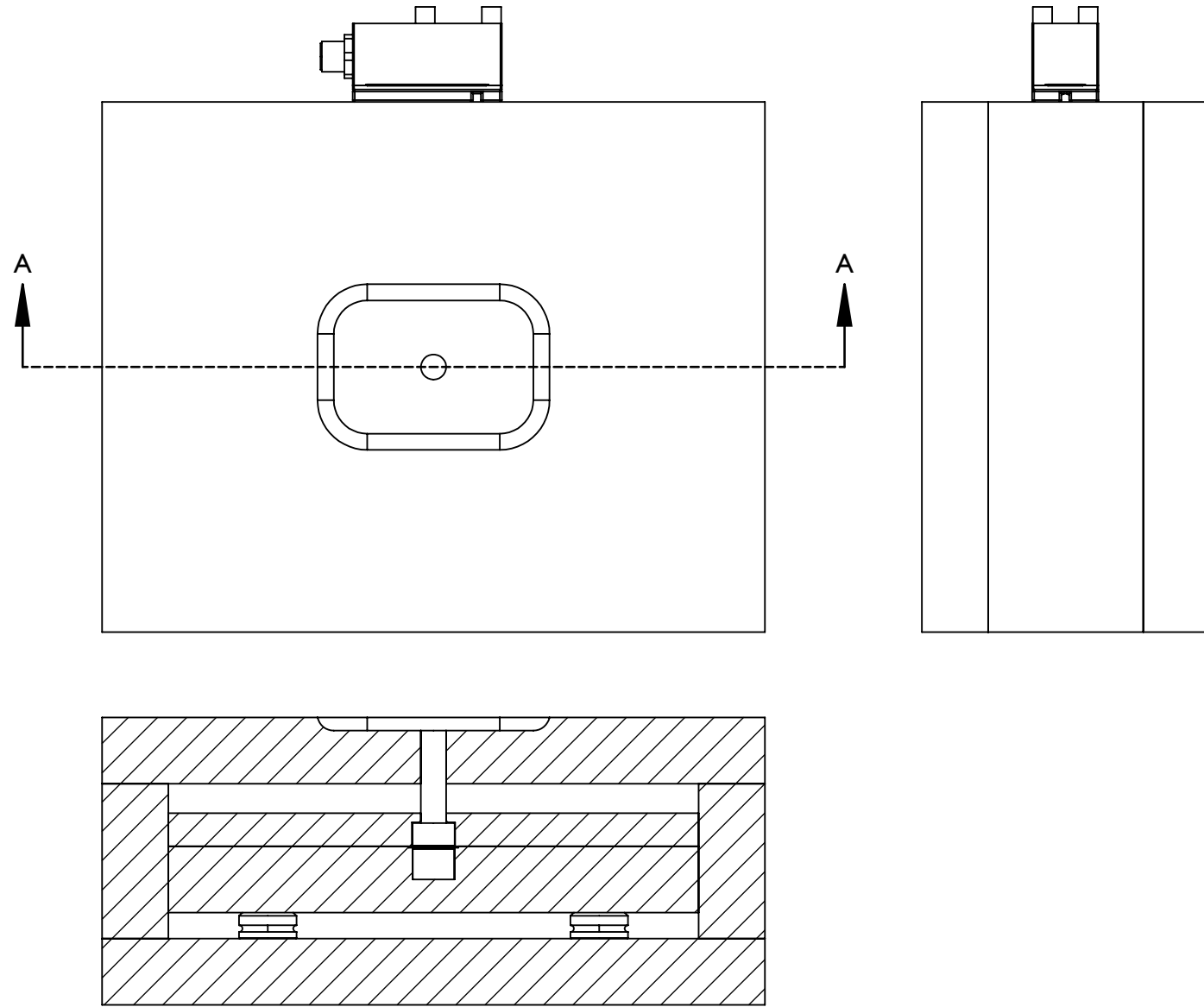


NOTES:

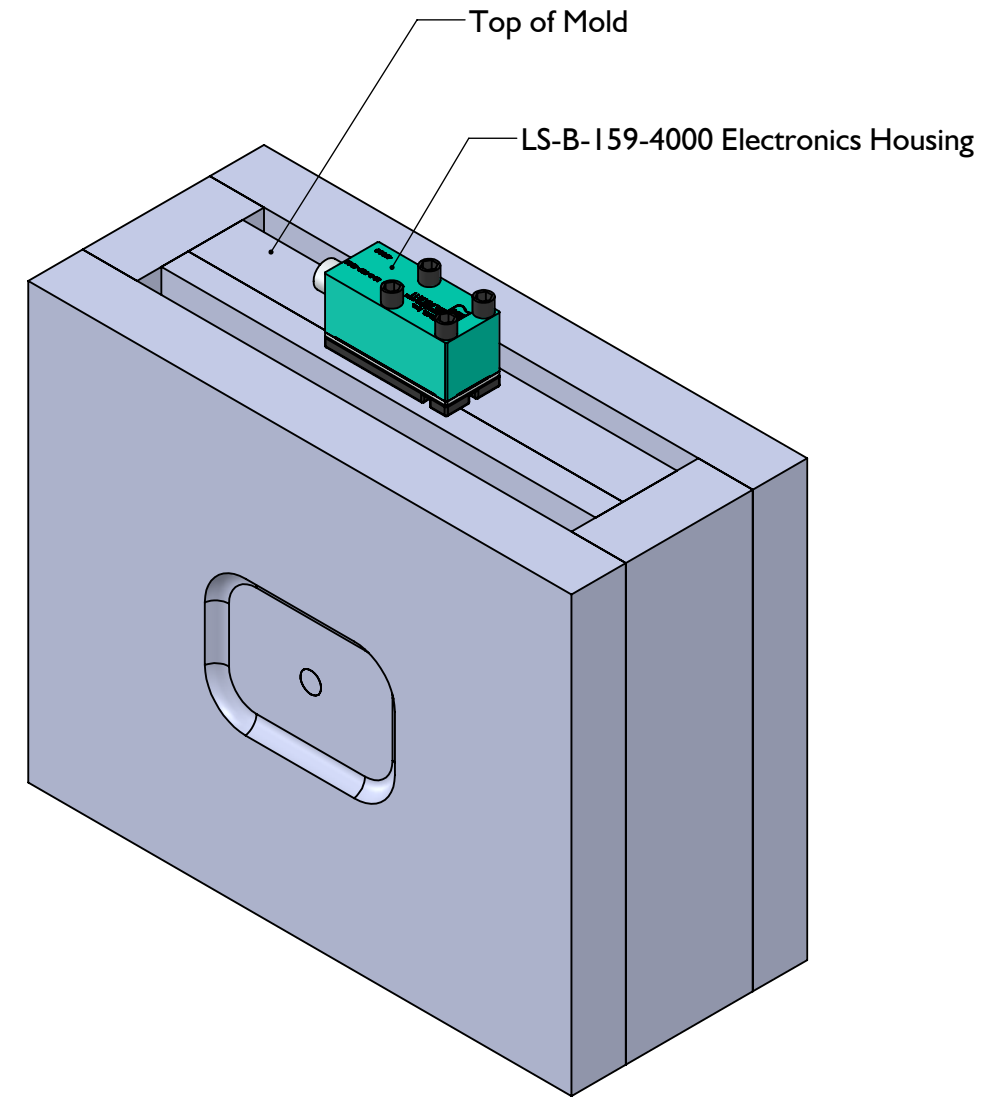
1. CLAMP PLATE APPLICATIONS REQUIRE GUIDED EJECTION
2. EJECTOR AND TRANSFER PIN CONCENTRICITY MUST BE WITHIN 0.030" [0.76] OR 10% OF EJECTOR PIN DIA, WHICHEVER IS SMALLER.
3. ENCLOSED EJECTOR BOX SUGGESTED.
4. DO NOT SCALE PRINT
5. BREAK ALL SHARP EDGES, 0.005 [0.03] R MAX
6. DIMENSIONS IN INCHES [MM], UNLESS NOTED
7. TOLERANCES UNLESS SPECIFIED:
 XXX = ±0.003 [0.08]
 XX = ±0.01 [0.3]
 ANGLES = ±3° 30°

 <p>3111 Park Street, Traverse City, MI 49686 231-944-2111 www.rjg.com</p>	Description: LS-B-159-4000 Sensor Installation
	Drawn: K.J.Brettschneider
	Check: M.Groleau
	Date: 11.18.2021

LS-B-159-4000 Single-Channel Sensor Installation—Ejector Plate Installation



SECTION A-A
SCALE 1 : 2.5



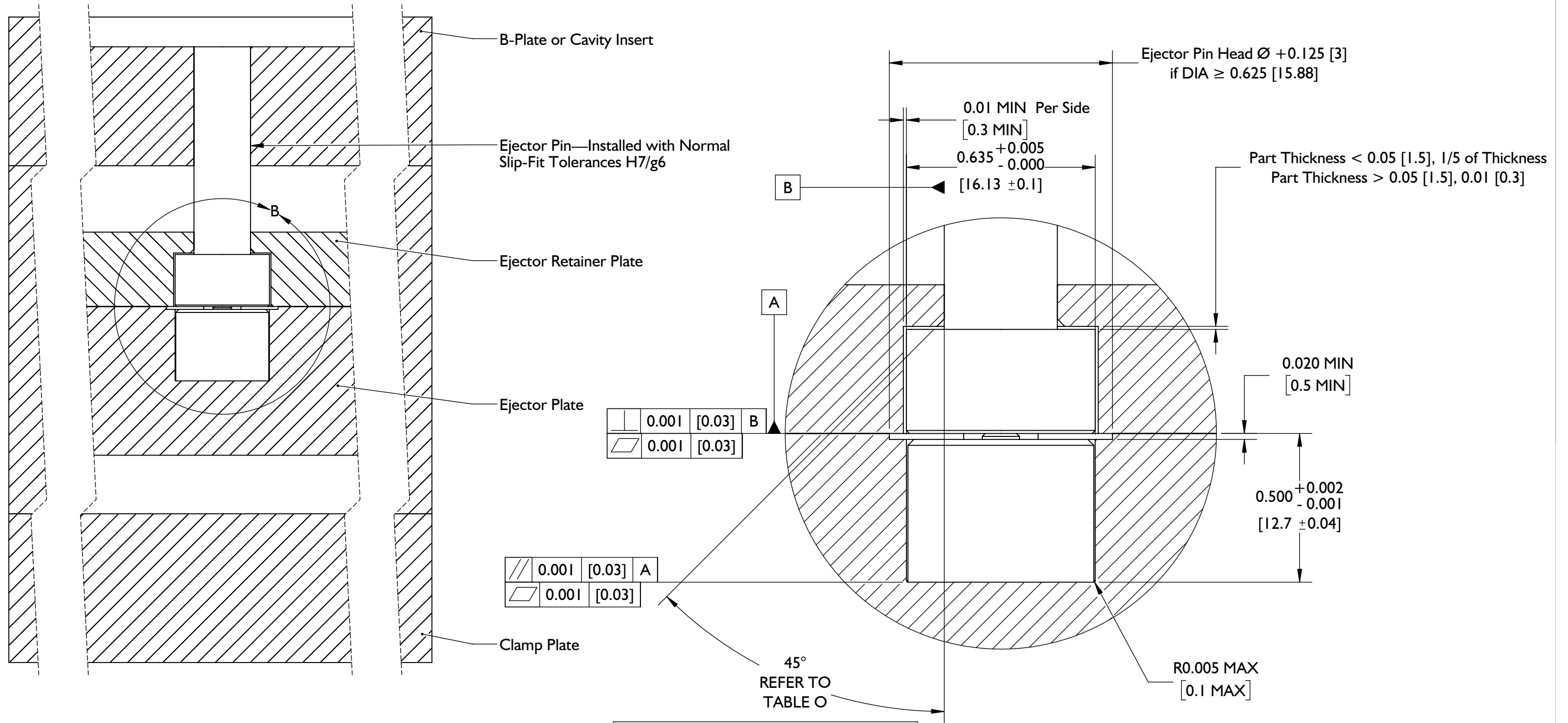
NOTES:

1. EJECTOR AND TRANSFER PIN CONCENTRICITY MUST BE WITHIN 0.030" [0.76] OR 10% OF EJECTOR PIN DIA, WHICHEVER IS SMALLER.
2. DO NOT SCALE PRINT
3. BREAK ALL SHARP EDGES, 0.005 [0.03] R MAX
4. DIMENSIONS IN INCHES [MM], UNLESS NOTED
5. TOLERANCES UNLESS SPECIFIED:
 XXX = ± 0.003 [0.08]
 XX = ± 0.01 [0.3]
 ANGLES = $\pm 3^\circ 30'$



Description: LS-B-159-4000
Sensor Installation
 Drawn: K.J.Brettschneider
 Design:
 Check: M.Groleau
 Date: 11.18.2021

LS-B-159-4000 Single-Channel Sensor Installation—Ejector Plate Installation



- NOTES:
- EJECTOR AND TRANSFER PIN CONCENTRICITY MUST BE WITHIN 0.030" [0.76] OR 10% OF EJECTOR PIN DIA, WHICHEVER IS SMALLER.
 - DO NOT SCALE PRINT
 - BREAK ALL SHARP EDGES, 0.005 [0.03] R MAX
 - DIMENSIONS IN INCHES [MM], UNLESS NOTED
 - TOLERANCES UNLESS SPECIFIED:
 XXX = $\pm 0.003 [0.08]$
 XX = $\pm 0.01 [0.3]$
 ANGLES = $\pm 3^\circ 30'$

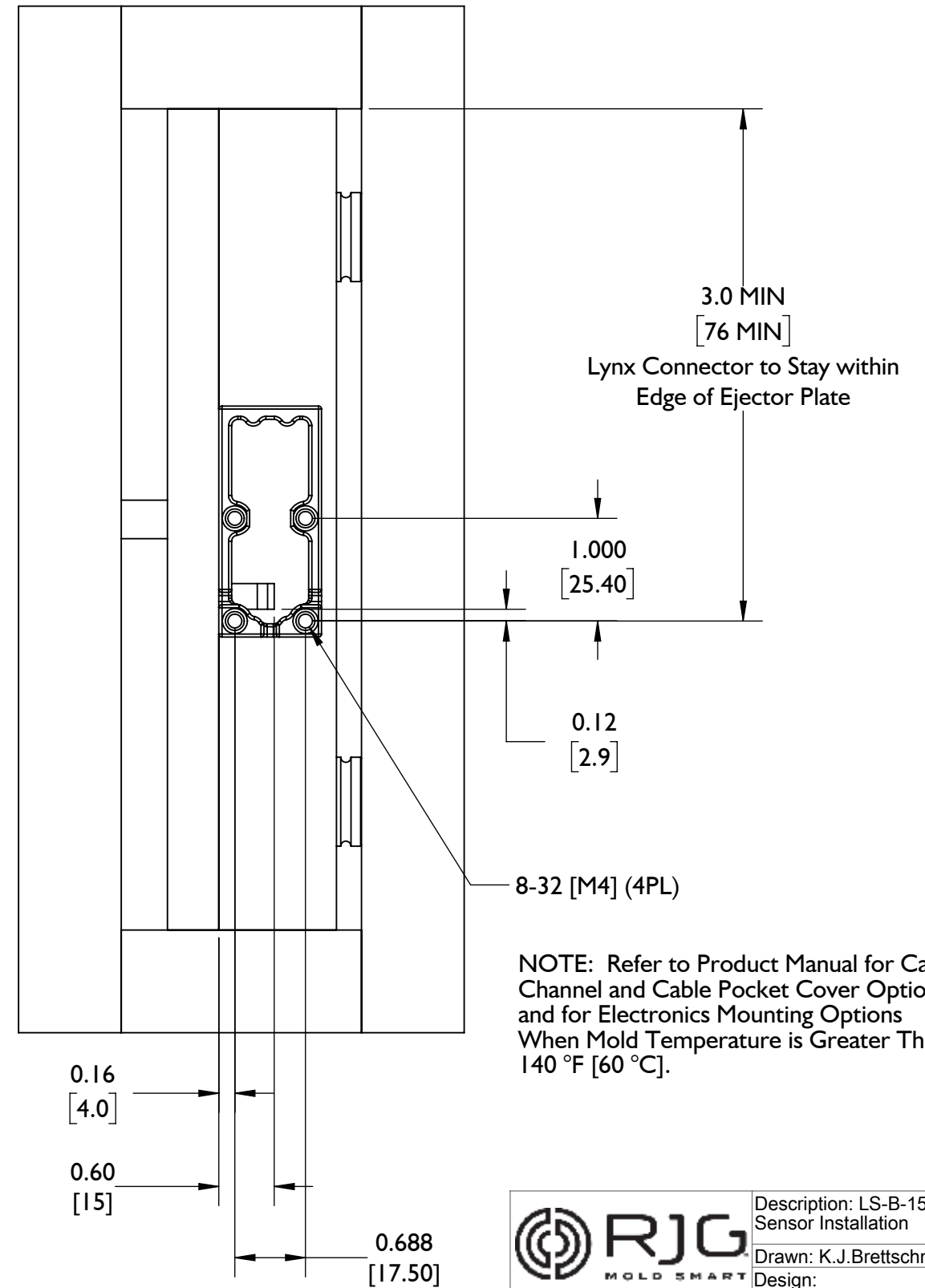
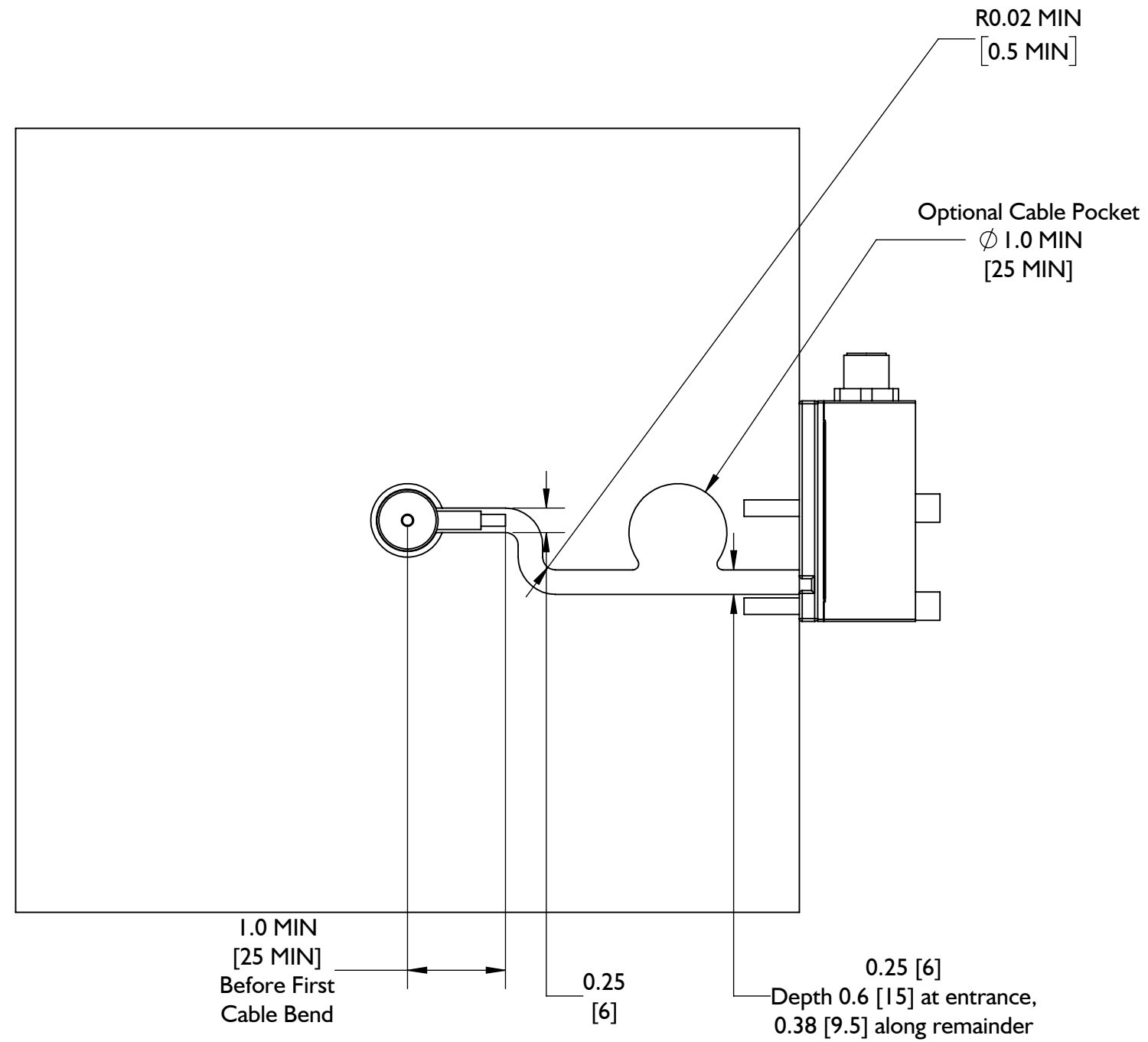
Ejector Pin \varnothing	Chamfer Length
0.04–0.08 [1.0–2.0]	0.01 [0.3]
0.10–0.20 [2.5–5.0]	0.02 [0.4]
0.24–0.40 [6.0–10.0]	0.025 [0.6]

DETAIL B
SCALE 3 : 1

 3111 Park Street, Traverse City, MI 49606 231-944-2111 www.rjgusa.com	Description: LS-B-159-4000 Sensor Installation
	Drawn: K.J.Brettschneider
	Check: M.Groleau
	Date: 11.18.2021

LS-B-159-4000 Single-Channel Sensor Installation—Ejector Plate Installation


NOTE: Lynx sensor electronics case mounted in the orientation as shown to prevent damage to components.



NOTE: Refer to Product Manual for Cable Channel and Cable Pocket Cover Options and for Electronics Mounting Options When Mold Temperature is Greater Than 140 °F [60 °C].

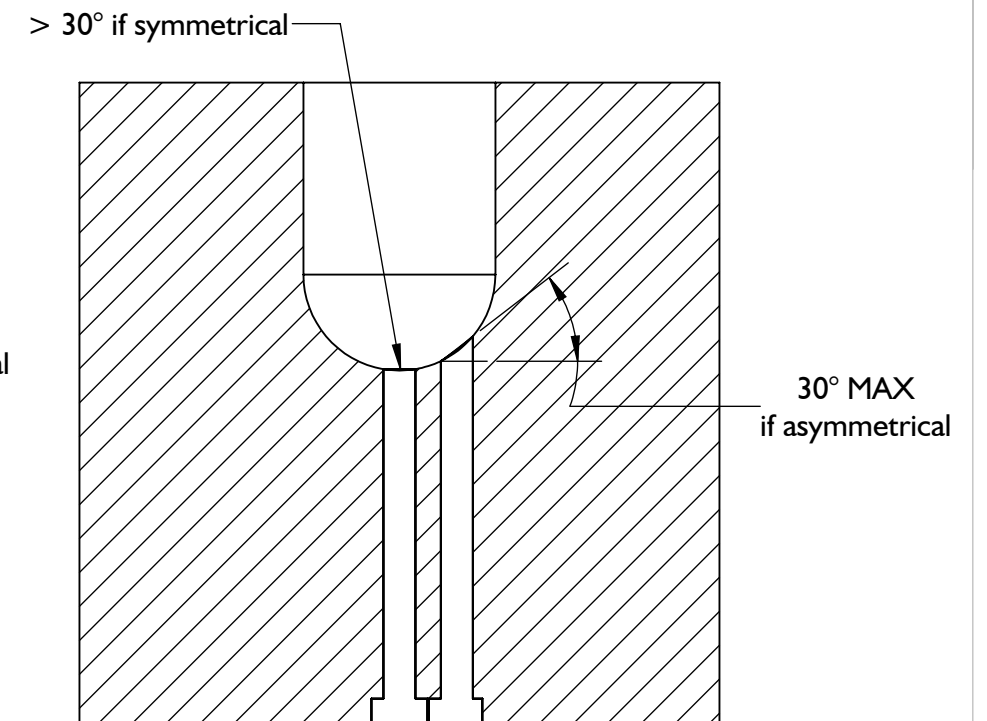
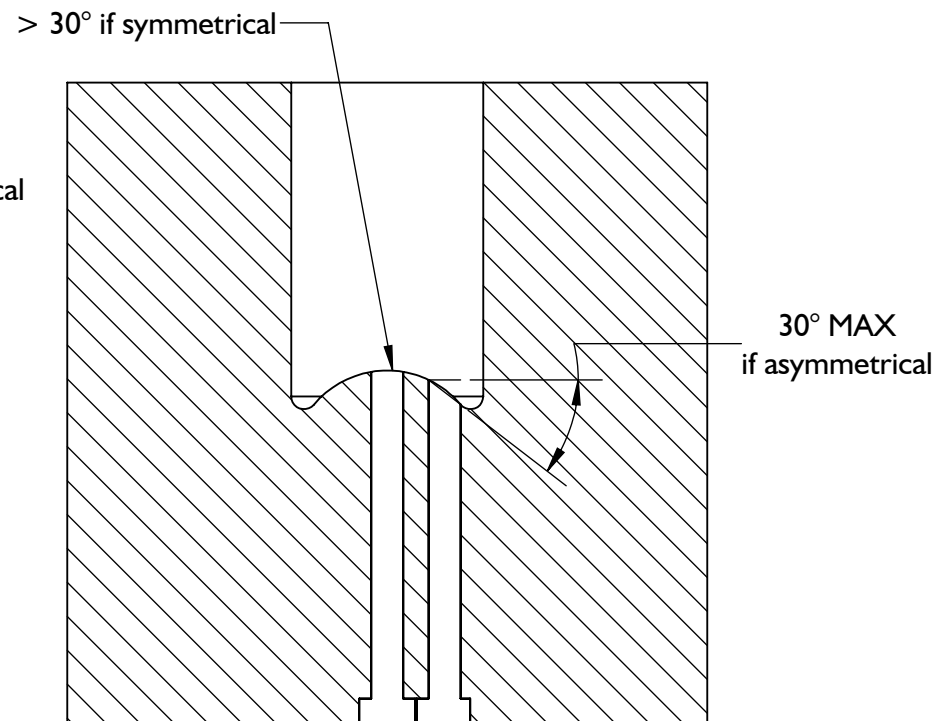
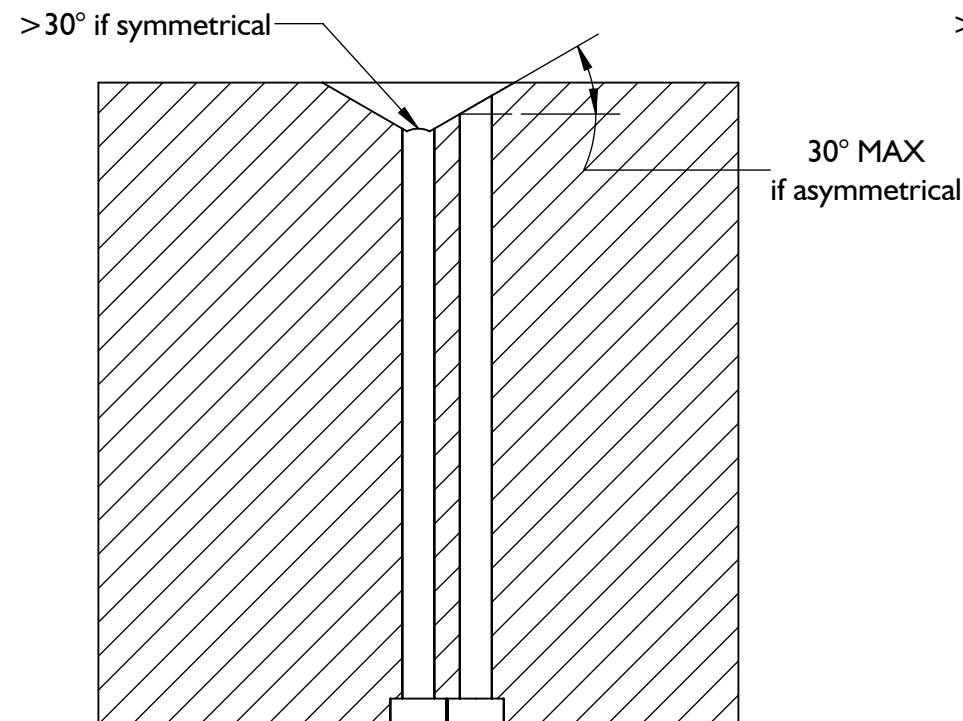
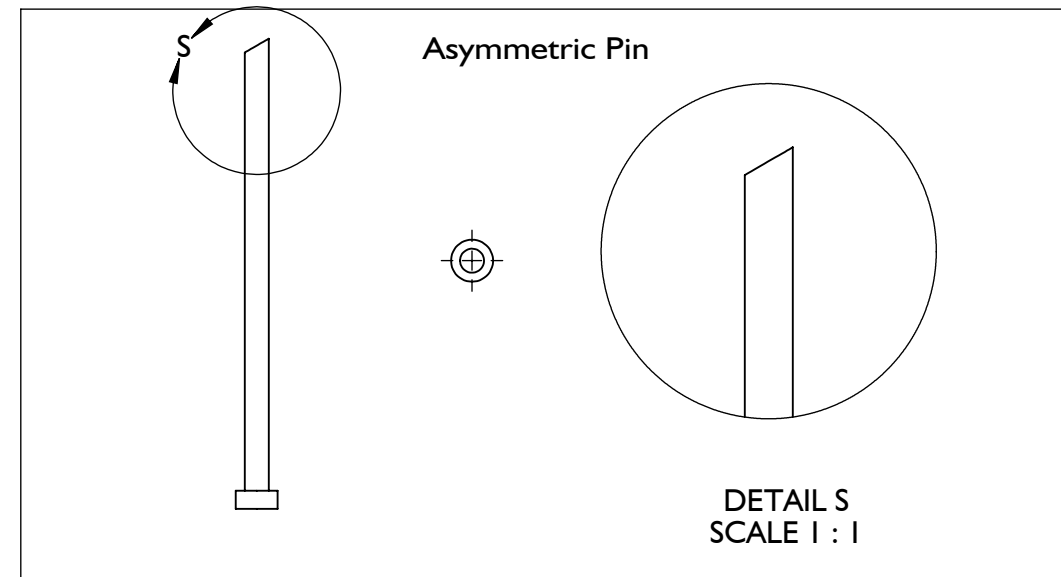
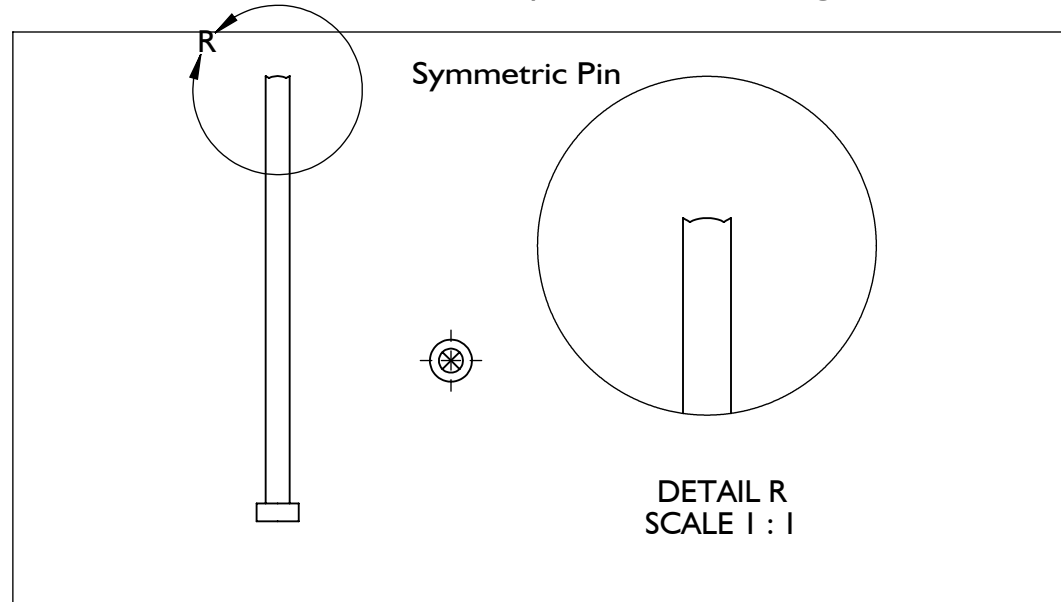
NOTES:

- EJECTOR AND TRANSFER PIN CONCENTRICITY MUST BE WITHIN 0.030" [0.76] OR 10% OF EJECTOR PIN DIA, WHICHEVER IS SMALLER.
- DO NOT SCALE PRINT
- BREAK ALL SHARP EDGES, 0.005 [0.03] R MAX
- DIMENSIONS IN INCHES [MM], UNLESS NOTED
- TOLERANCES UNLESS SPECIFIED:
 XXX = ± 0.003 [0.08]
 XX = ± 0.01 [0.3]
 ANGLES = $\pm 3^\circ$ 30°

 <p>3111 Park Street, Traverse City, MI 49606 231-944-2111 www.rjg.com</p>	Description: LS-B-159-4000 Sensor Installation
	Drawn: K.J.Brettschneider
	Design:
	Check: M.Groleau
Date: 11.18.2021	

LS-B-127-XXXX Sensor Installation—Contoured Pin Angle Specification

NOTE: Contoured/angled pins (asymmetric) not to exceed 30° MAX unless pin design is symmetrical to provide even, downward pressure across pin surface to loading of sensor. Contact RJG Customer Support for assistance in verification of contoured/angled pin use.



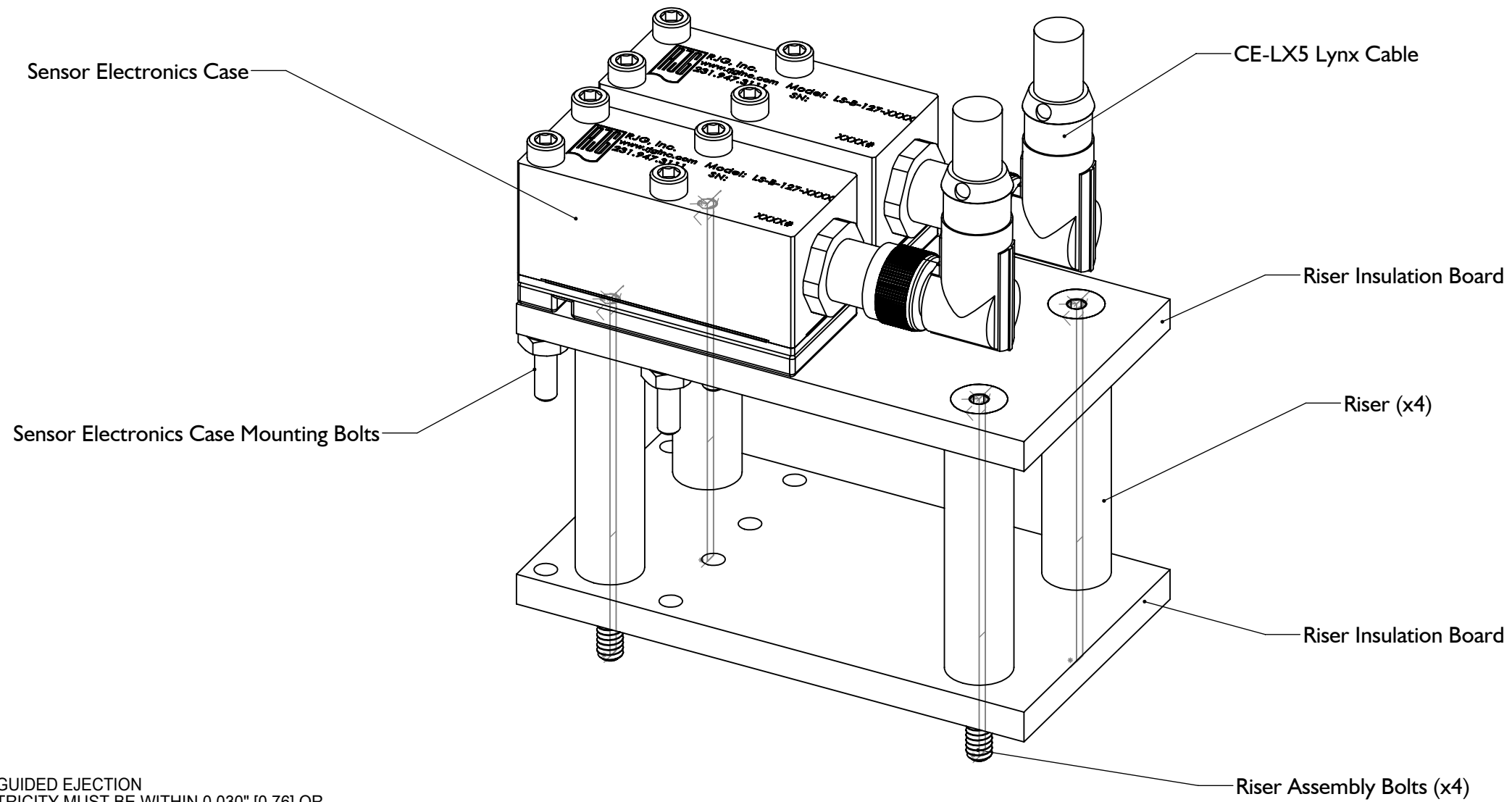
- NOTES:
1. CLAMP PLATE APPLICATIONS REQUIRE GUIDED EJECTION
 2. EJECTOR AND TRANSFER PIN CONCENTRICITY MUST BE WITHIN 0.030" [0.76] OR 10% OF EJECTOR PIN DIA, WHICHEVER IS SMALLER.
 3. ENCLOSED EJECTOR BOX SUGGESTED.
 4. DO NOT SCALE PRINT
 5. BREAK ALL SHARP EDGES, 0.005 [0.03] R MAX
 6. DIMENSIONS IN INCHES [MM], UNLESS NOTED
 7. TOLERANCES UNLESS SPECIFIED:
 XXX = ±0.003 [0.08]
 XX = ±0.01 [0.3]
 ANGLES = ±3° 30°

<p>3111 Park Street, Traverso City, NJ 08006 201-264-2111 www.rjg.com</p>	Description: LS-B-159-4000 Sensor Installation
	Drawn: K.J.Brettschneider
	Design: Check: M.Groleau
	Date: 11.18.2021

Drawing Title: LS-B-159-4000-11

LS-B-159-4000-H Sensor Installation—Sensor Electronics Housing Installation for High Temperatures

NOTE: The sensor electronics housing must be kept below 140 °F (60 °C) for all LS-B-127-XXXX and LS-B-127-XXXX-H sensor models. Refer to the drawing below as a guide; RJG does NOT provide riser assembly pictured below—riser assembly and design is responsibility of customer. Contact RJG Customer Support for assistance with high-temperature sensor electronics housing protection designs.



NOTES:

1. CLAMP PLATE APPLICATIONS REQUIRE GUIDED EJECTION
2. EJECTOR AND TRANSFER PIN CONCENTRICITY MUST BE WITHIN 0.030" [0.76] OR 10% OF EJECTOR PIN DIA, WHICHEVER IS SMALLER.
3. ENCLOSED EJECTOR BOX SUGGESTED.
4. DO NOT SCALE PRINT
5. BREAK ALL SHARP EDGES, 0.005 [0.03] R MAX
6. DIMENSIONS IN INCHES [MM], UNLESS NOTED
7. TOLERANCES UNLESS SPECIFIED:
 XXX = ±0.003 [0.08]
 XX = ±0.01 [0.3]
 ANGLES = ±3° 30°



Description: LS-B-159-4000
 Sensor Installation
 Drawn: K.J.Brettschneider
 Design:
 Check: M.Groleau
 Date: 11.18.2021