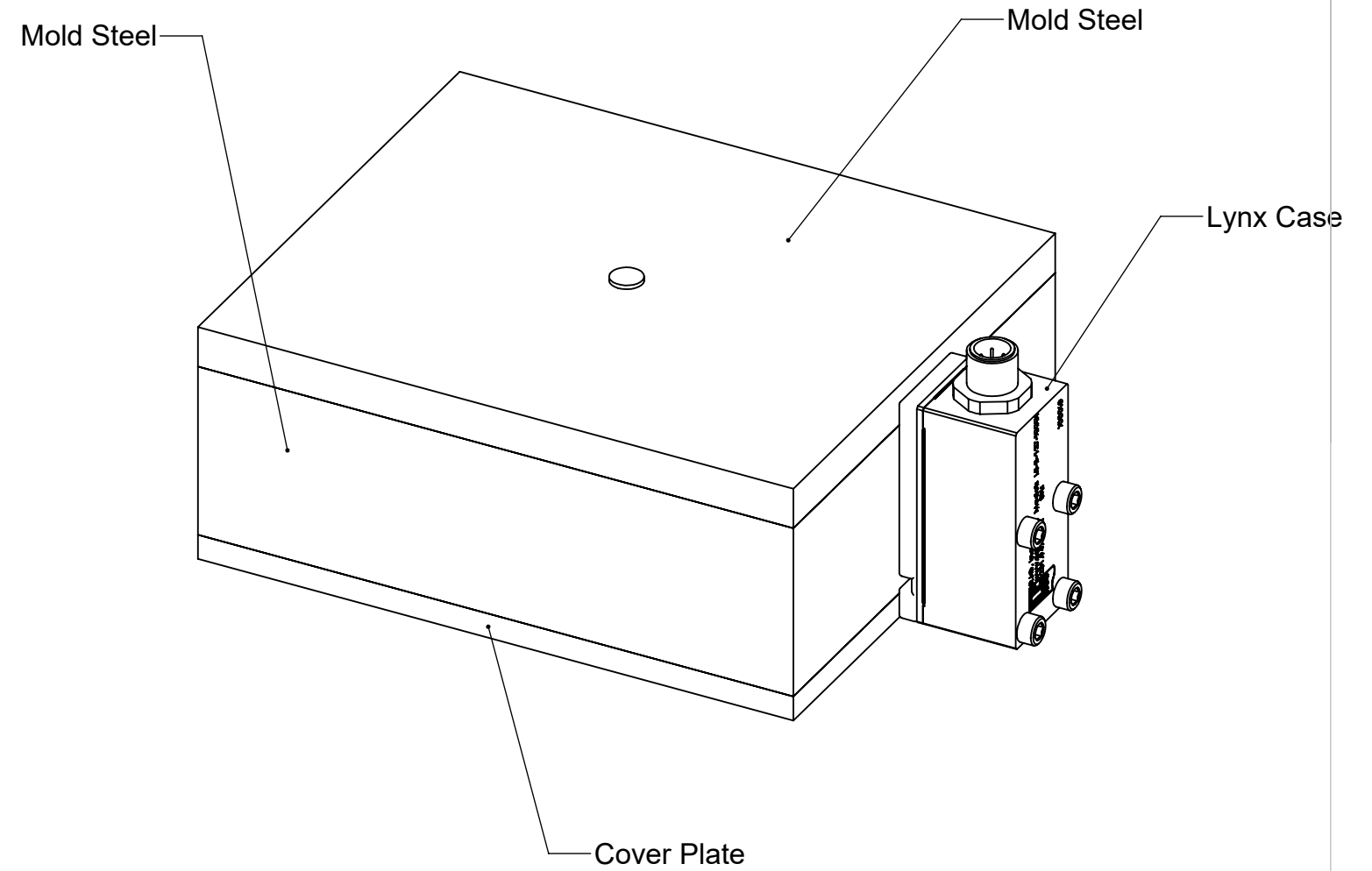
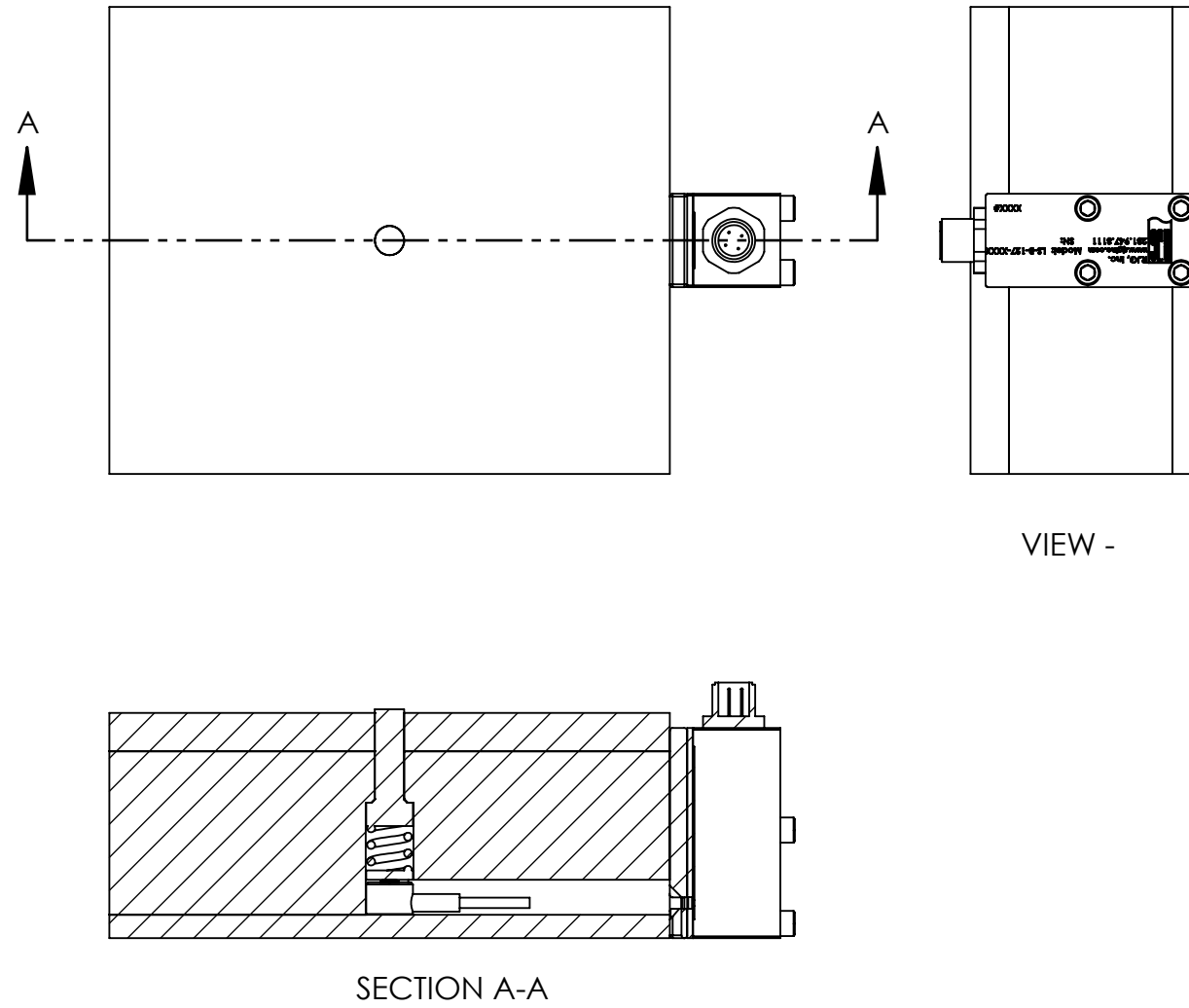



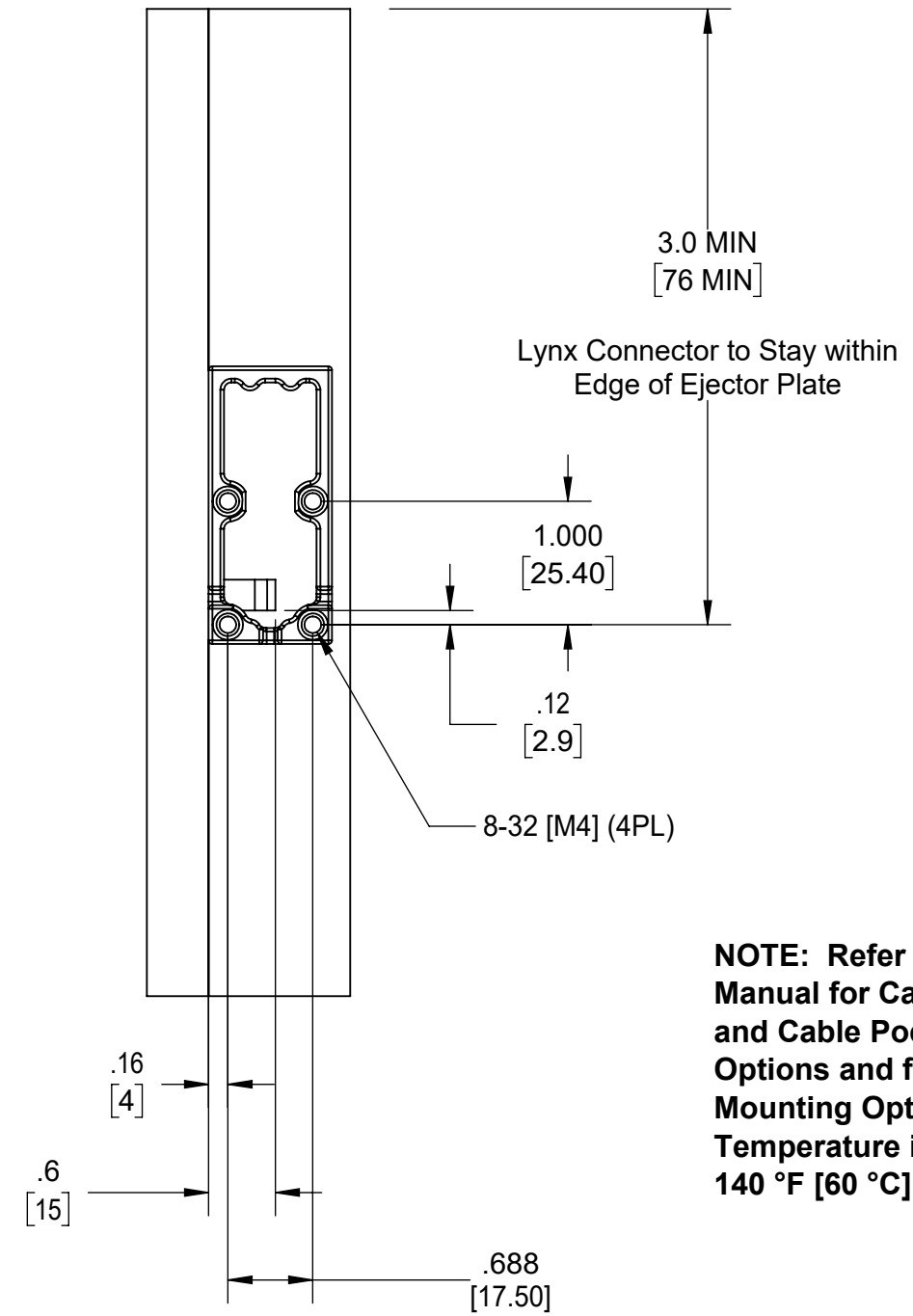
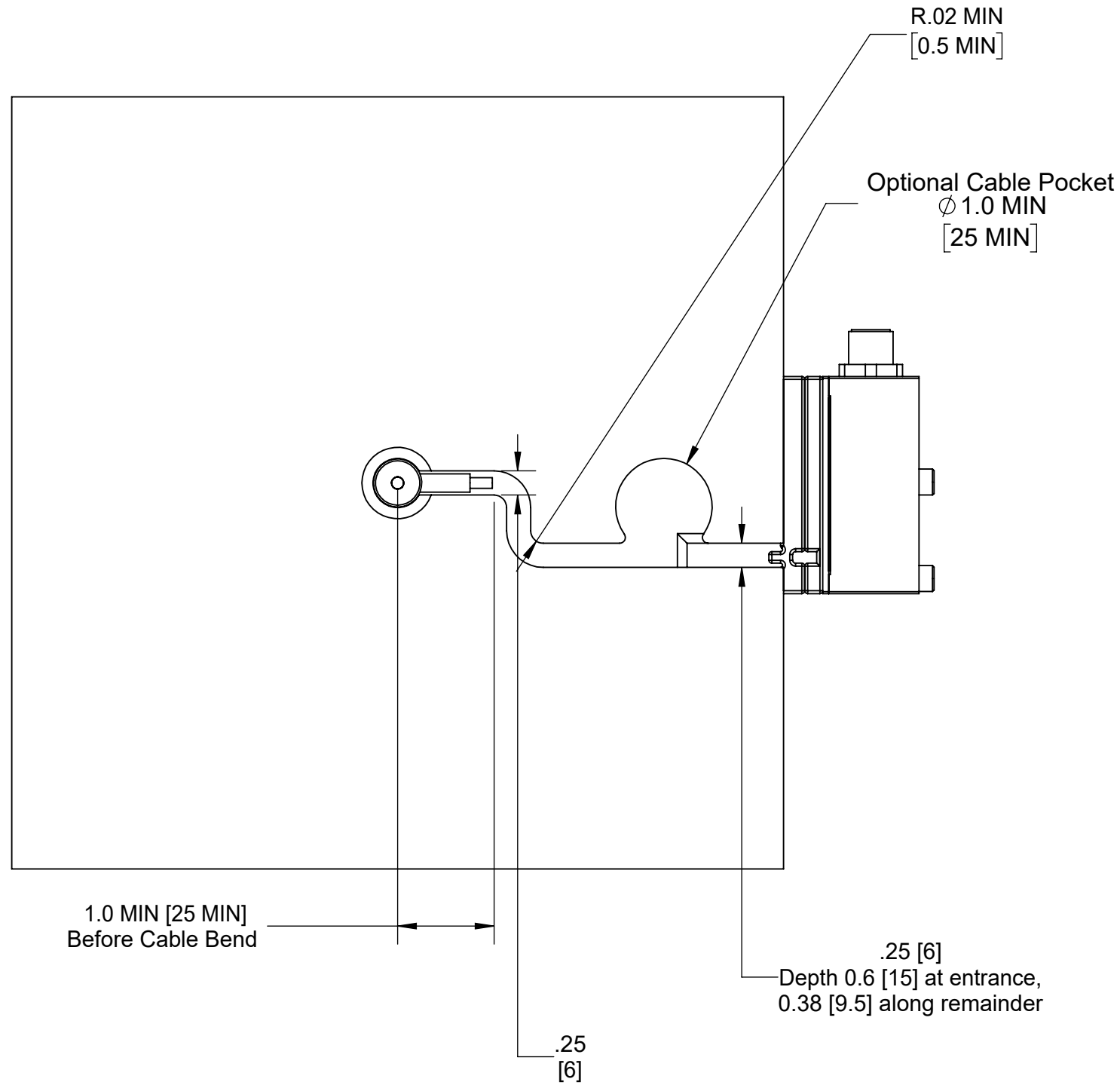
Lynx™ Mold Deflection Sensor LS-MD-040 Installation



- NOTES:
1. ENCLOSED EJECTOR BOX SUGGESTED.
 2. DO NOT SCALE PRINT
 3. BREAK ALL SHARP EDGES, 0.005 [0.03] R MAX
 4. DIMENSIONS IN INCHES [MM], UNLESS NOTED
 5. TOLERANCES UNLESS SPECIFIED:
 XXX = ±0.003 [0.08]
 XX = ±0.01 [0.3]
 ANGLES = ±3° 30°


 <p>3111 Park Street, Traverse City, MI 49686 231-944-2111 www.rjg.com</p>	Description: LS-MD-040 Sensor Installation
	Drawn: K.J.Brettschneider
	Design: Check: M.Groleau
	Date: 07.23.2024

Lynx™ Mold Deflection Sensor LS-MD-040 Installation—Lynx™ Case Installation



NOTE: Refer to Product Manual for Cable Channel and Cable Pocket Cover Options and for Electronics Mounting Options When Mold Temperature is Greater Than 140 °F [60 °C]

- NOTES:
1. ENCLOSED EJECTOR BOX SUGGESTED.
 2. DO NOT SCALE PRINT
 3. BREAK ALL SHARP EDGES, 0.005 [0.03] R MAX
 4. DIMENSIONS IN INCHES [MM], UNLESS NOTED
 5. TOLERANCES UNLESS SPECIFIED:
 XXX = ±0.003 [0.08]
 XX = ±0.01 [0.3]
 ANGLES = ±3° 30°

 <small>311 Park Street, Traverse City, MI 49606 231-944-2111 www.rjg.com</small>	Description: LS-MD-040 Sensor Installation
	Drawn: K.J.Brettschneider
	Design:
	Check: M.Groleau
Date: 07.23.2024	