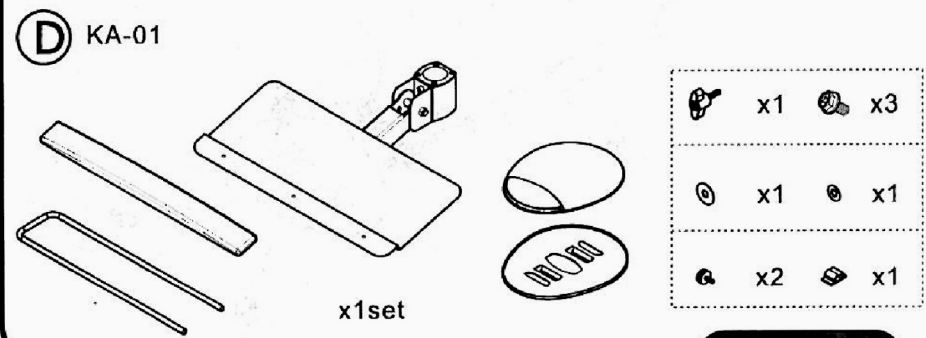
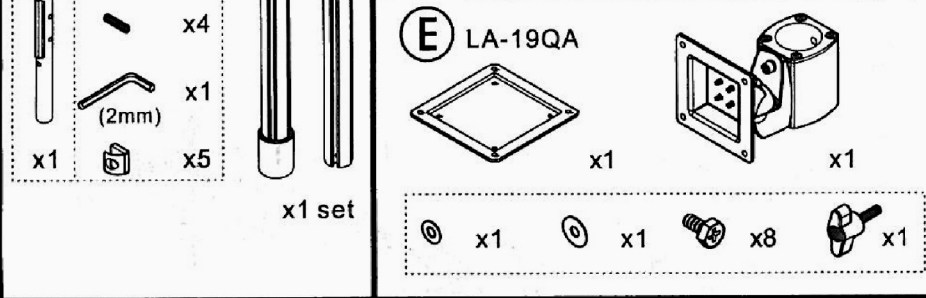
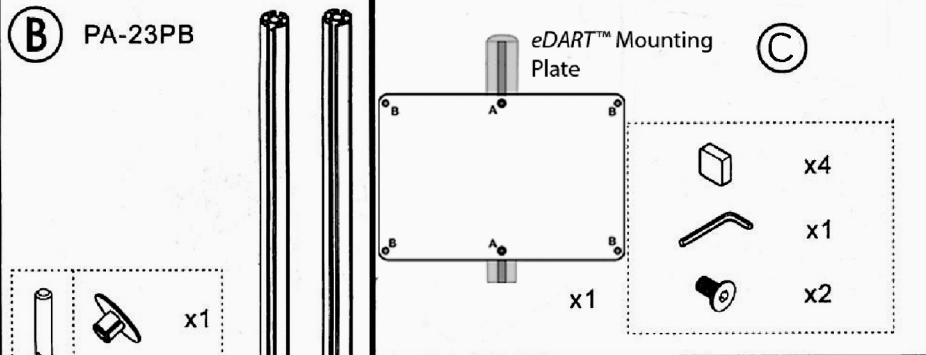
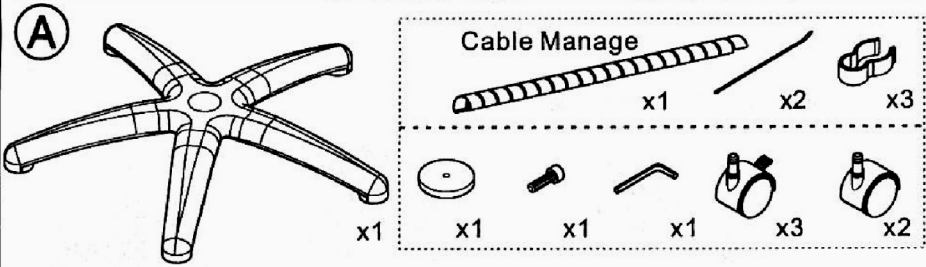
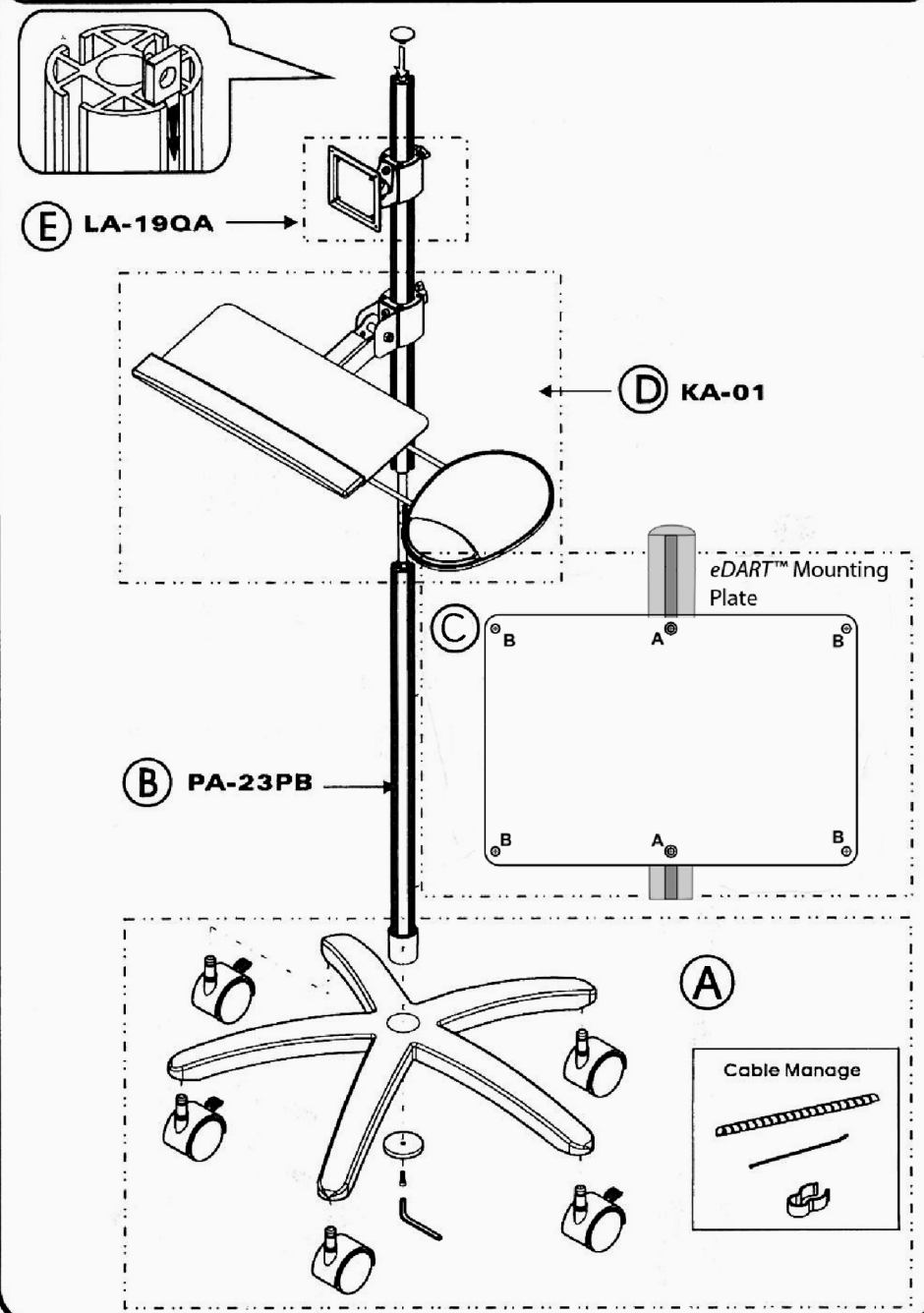


# Check-List



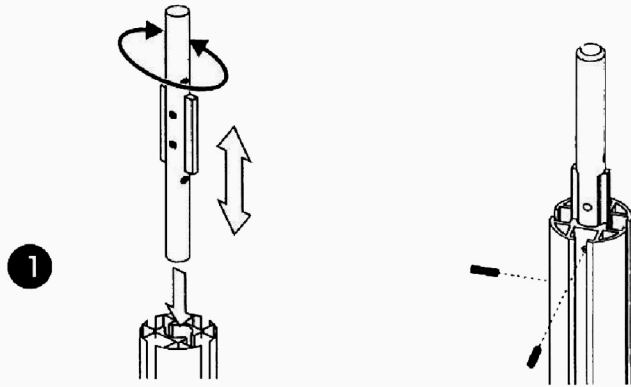
**PA-23G**

# Assembly Guide

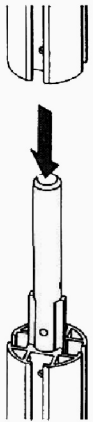


# Assembly Guide

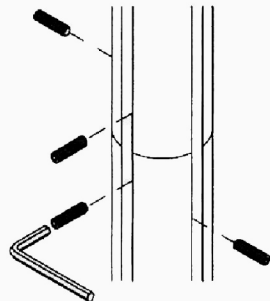
- B** Please turn the steel bar to suitable position in order to put it into the grooves of pole. Then screw the screws with 2 mm Allen key, but not fasten them. If the screws can not be screwed in, please adjust the steel bar.



- 2** Complete the assembly for second section of pole as step **1**.

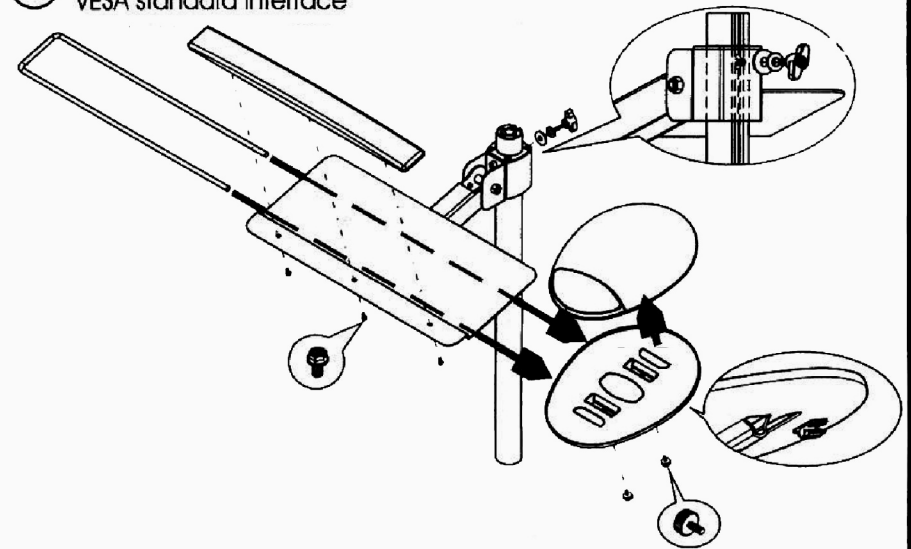


- 3** Fasten all the screws.

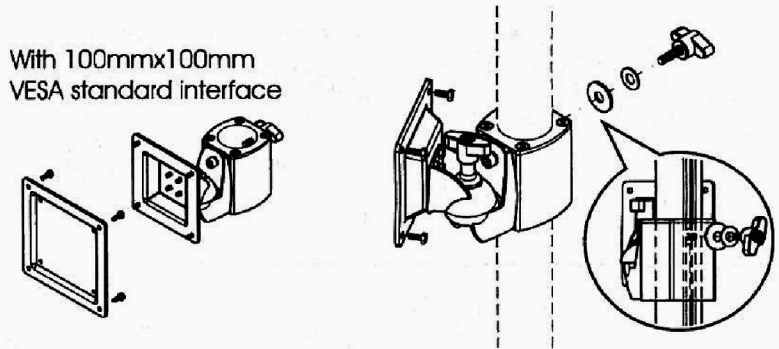


# Assembly Guide

- D** With 100mmx100mm VESA standard interface



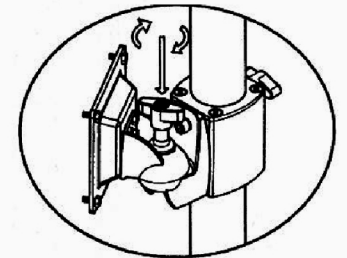
- E** With 100mmx100mm VESA standard interface



When the joint loosens ,tighten the parallel knob up with clockwise direction.  
Loading weight : 1 ~ 6 kgs.

**Note:**

\* Support the monitor during the adjustment procedure.



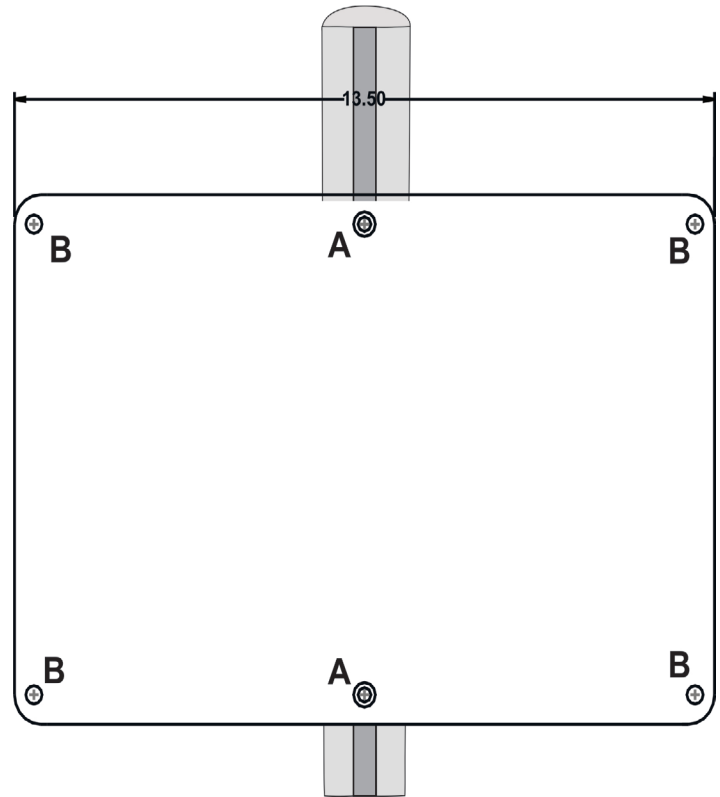


## eDART® Stand Mounting Plate

### Assembling and Mounting the eDART® Plate on the Stand

#### Included Parts:

- 1 Metal mounting plate
- 1 Allen Wrench from bag taped to the mounting plate
- 2 Screws from bag taped to the mounting plate
- 2 Adhesive pads from bag taped to the mounting plate
- 4 1/4-20x3/4 screws - 4 1/4-20 nuts - 4 washers  
(all in holes on mounting plate)
- 2 clips (located in separate box measuring 8 1/2" x 9"  
1/2" x 4")



#### 1. Attach the Mounting Plate.

Slide the first mounting clip into the slot in the pole stand and match up to the bottom hole in the middle of the eDART® mounting plate (A) at the height you wish for the bottom of the eDART® before tightening into place. Tighten using the Allen wrench. Slide the second mounting clip into the stand and match to the middle hole (A) in the top of the plate. Tighten.

#### 2. Mount the plate using the screws provided.

#### 3. Attach eDART®.

Attach the eDART® with the provided screws, nuts, and washers using the 4 corner holes on the mounting plate (B).

#### RJG, INC. STANDARD WARRANTY

RJG, Inc. warrants eDART® hardware products for one (1) year from the date of shipment to be free from defects of material and construction. This warranty is the only warranty applicable with RJG. It supersedes and extinguishes any other warranties, oral or written. There are no warranties of merchantability or fitness for a particular purpose, expressed or implied. RJG's sole and maximum liability under this warranty shall be to replace or repair (at RJG's factory) any RJG products that fail to conform to this warranty, F.O.B. Traverse City, Michigan, USA. In no event shall RJG be liable for any incidental or consequential damages.

#### PRODUCT DISCLAIMER

RJG, Inc. is not responsible for the improper installation of this equipment, or any other equipment RJG manufactures. Proper RJG equipment installation does not interfere with original equipment safety features of the machine. Safety mechanisms on all machines should never be removed.